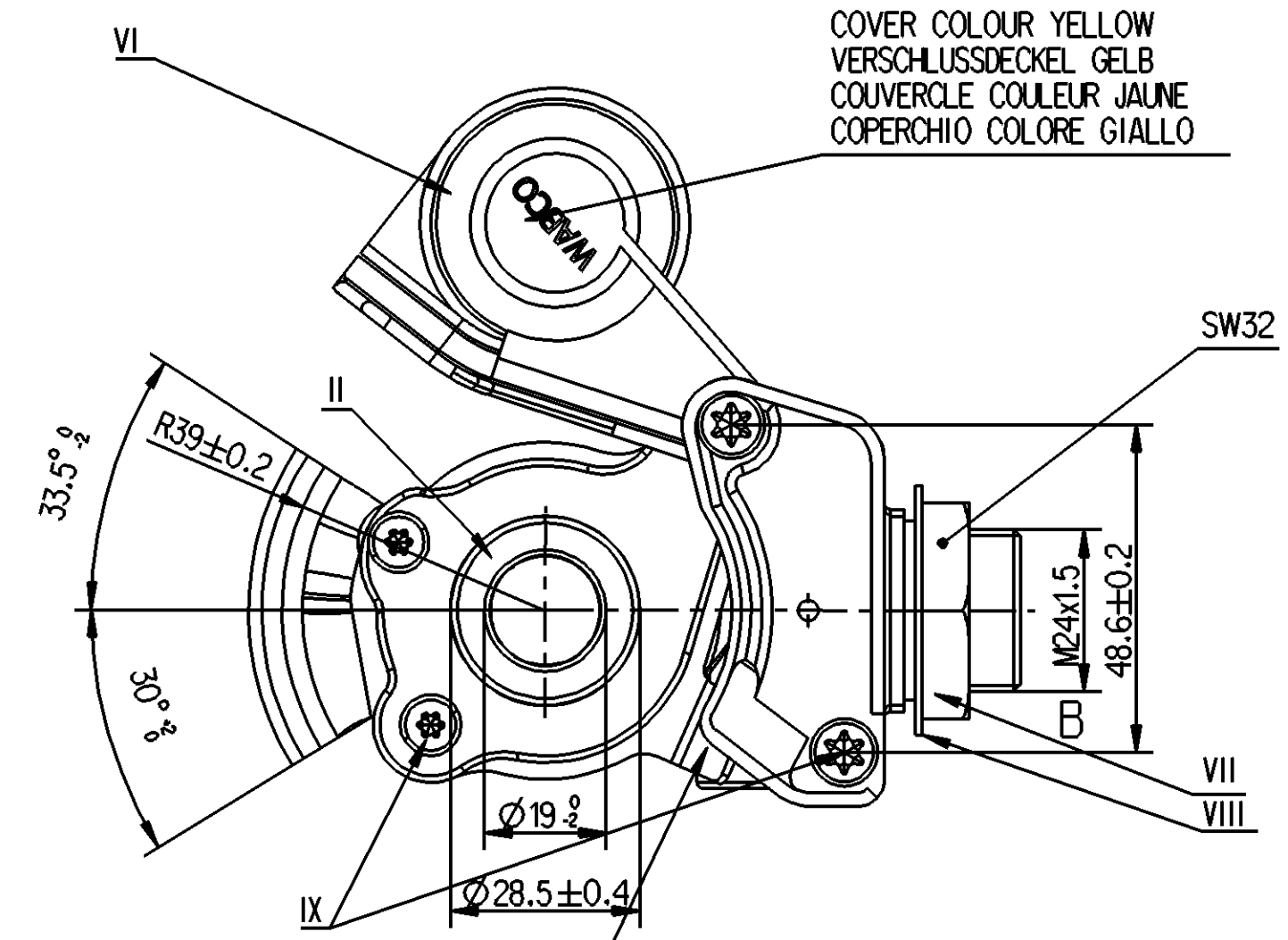
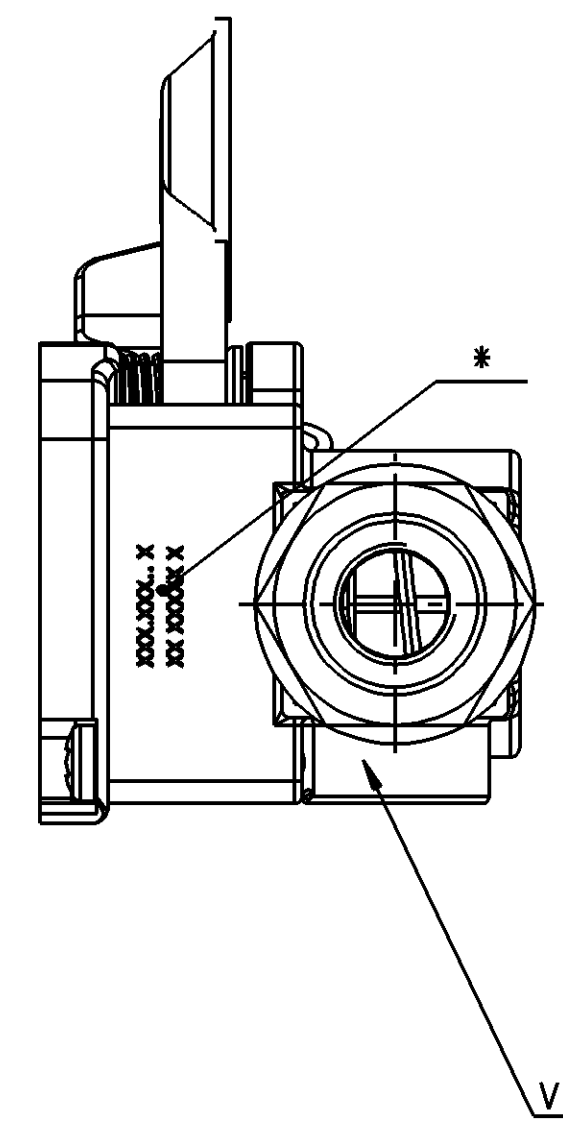
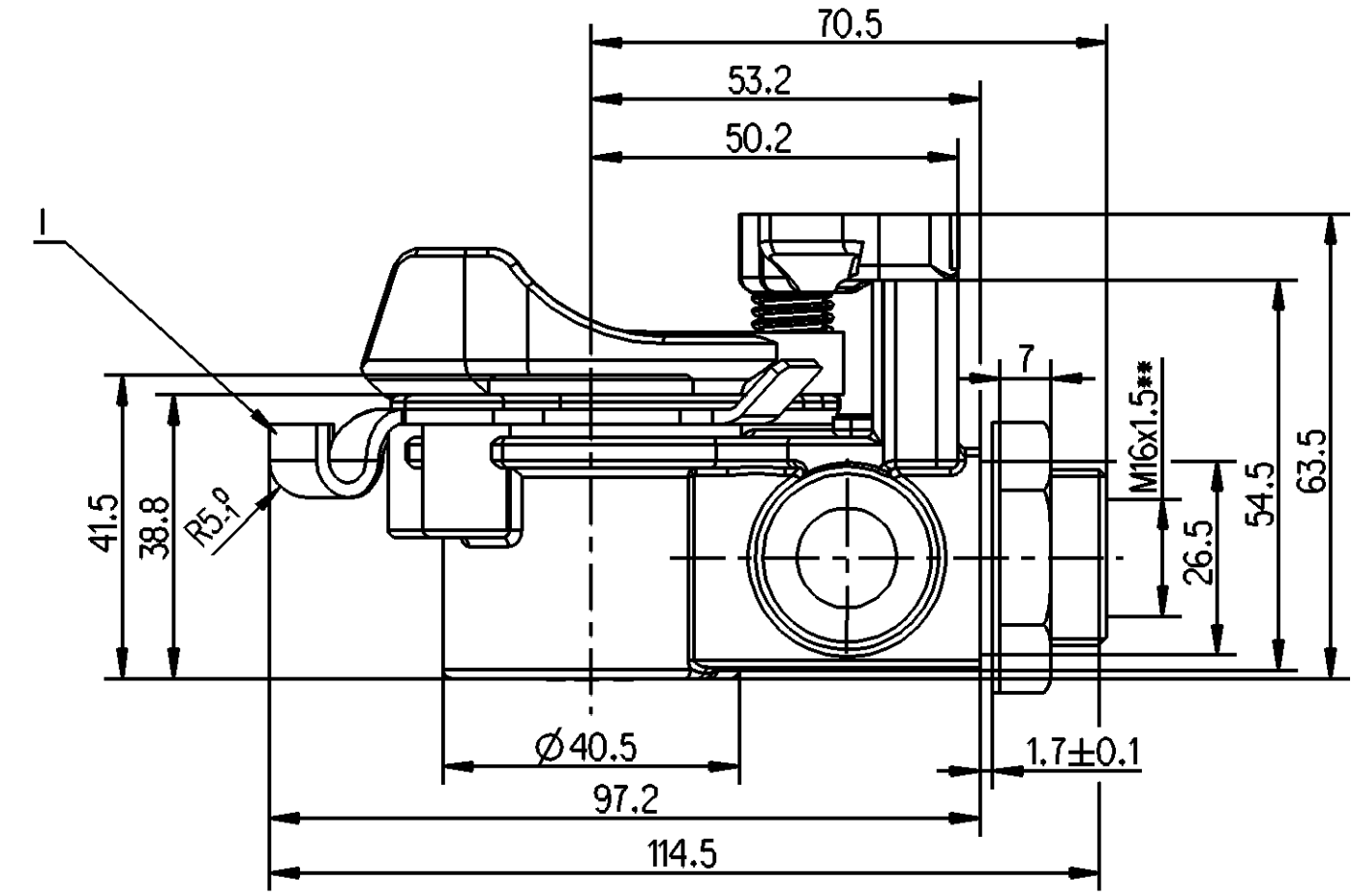


MATERIAL AND SURFACE PROTECTION OF ELEMENT			
I	JED-475-2	JED-257	GUIDE, FUEHRUNG, GUIDE, GUIDA
II	JED-7080M	-	SEALING, DICHTEN, ETANCHEITE, IMPERMEABILIT
V	JED-029M1	JED-259	BODY, GEHAUSE, CORPO, CORPS USINE
VI	POM	-	COVER, DECKEL, COUVERCLE, COPERCHIO
VII	8	JED-257	NUT, MUTTER, ECROU, DADO
VIII	JED-475-2	JED-257	WASHER, SCHEIBE, RONDELLE, ROSETTA
IX	8.8	JED-257	SCREW, SCHRAUBE, VIS, VITE

USAGE VERWENDUNG UTILISATION APPLICAZIONE	CONTROL LINE BREMSLEITUNG CONDUITE DE COMMANDE TUBAZIONE DEL FRENO
SYMBOL SYMBOL SYMBOL SIMBOLO	ISO 1219
WORKING POSITION EINBAULAGE POSITION DE FONCTIONNEMENT POSIZIONE DI FUNZIONAMENTO	UNIMPORTANT BELIEBIG INDIFFERENTE INDIFFERENTE
WORKING MEDIUM ARBEITSMEDIUM FLUIDE D'UTILISATION FLUIDO DI ESERCIZIO	COMPRESSED AIR DRUCKLUFT AIR COMPRIE ARIA COMPRESSA
NORM NORM NORME NORMA	ISO 1728
AMBIENT MEDIUM UMGEBUNGSMEDIUM FLUIDE AMBIANT FLUIDO AMBIENTE	AIR (CONTAINING WATER DUST AND OIL) LUFT (WASSER-, STAUB- UND OELHALTIG) AIR (HUMIDE, HUILEUX, POUSSIEREUX) ARIA (ACQUA, POLVERE ED OLIO INQUINATO)
WORKING TEMPERATURE THERMISCHER ARBEITSBEREICH TEMPERATURE DE FONCTIONNEMENT TEMPERATURA DI UTILIZZAZIONE	-40° +80°C
MAX INLET PRESSURE MAX BETRIEDSDRUCK PRESSION D'ALIMENTATION MAXI PRESSIONE MASSIMA D'ALIMENTAZIONE	8.5 BAR



COVER COLOUR YELLOW
VERSCHLUSSECKEL GELB
COUVERCLE COULEUR JAUNE
COPERCHIO COLORE GIALLO

SAFEGUARD AGAINST CROSS-COUPLING
VERTAUSCHSICHERUNG
SECURITEEN CAS DE DEFAULT DE CONNEXION
PROTEZIONE CONTRO CONNESSIONE INCORRETTA

* WABCO DEVICE NO., DATE OF MANUFACTURE
WABCO-GERATE NR., HERSTELLDATUM
NUMERO DE L'APPAREIL WABCO, DATE DE FABRICATION
NUMERO DELL'APPARECCHIO WABCO, DATA DI FABBRICAZIONE

SW32: TORQUE
SW32: ANZUGSMOMENT
SW32: COUPLE DE SERRAGE 45 ±5Nm
SW32: COPPIA DI SERRAGGIO

** TORQUE
ANZUGSMOMENT
COUPLE DE SERRAGE 30 ±2 Nm
COPPIA DI SERRAGGIO

Non è permesso copiare o terzi o riprodurre questo documento, ne utilizzare il contenuto o renderlo comunque noto a terzi.
 Toute communication ou reproduction de ce document, toute exploitation ou communication de son contenu sont interdites, sauf
 autorisation écrite préalable de WABCO. Toute utilisation non autorisée sans autorisation écrite de WABCO est formellement interdite.
 E' fatto riserva di tutti i diritti derivanti da brevetti o marchi.
 It is to others and the use or communication of the contents thereof, are forbidden without express
 permission of WABCO. Any use or communication of the contents of this document and giving
 information to others without the written consent of WABCO is expressly prohibited. All rights
 are reserved in the event of the grant of patent or registration of a utility model or design. This document is the subject of copyright.
 Verfertigung dieser Unterlage, Verwertung und Mitteilung ihres Inhalts
 nicht gestattet, soweit
 die Verfertiger, Verwerter, Verbreiter und sonstigen Verantwortlichen in dieser Hinsicht
 nicht ausdrücklich zugestimmt sind. Zuwiderhandlungen stellen einen strafrechtlichen Missbrauch dar und
 bleiben für den Fall der Patentierung oder Gebrauchsmuster-Eintragung vorbehalten.
 All rights reserved in the event of the grant of patent or registration of a utility model or design. This document is the subject of copyright.

General Specification: JED-334-0		Copyright WABCO®		WABCO	
Further Technical Data: 952 201 000 0 doc. 035		Date: _____ Signature: _____		HOSE COUPLING WITH INTEGRATED FILTER	
Doc. Code: _____ Sheet: _____ To: _____		2008-08-21 Drawn: Wakulski		KUPPLUNGSKOPF MIT INTEG. FILTER	
General Tolerances JED-261		2008-08-22 Checked: Hladik		TETE D'ACCOUPLMENT AVEC FILTRE	
Range of Nominal Dimensions (± mm)		Expert: _____		TESTA D'ACCOPIAMENTO CON FILTRO	
Class 1)	≤ 50	> 50 ≤ 180	> 180 ≤ 400	> 400	
Fine	0.5	1.0	1.5	2.0	
Medium	1.0	2.0	3.0	4.0	±3°
Coarse	2.0	3.5	5.0	6.5	
Tapped Holes acc. JED-152		Mass: 0,31 KG		Scale: 1:1	
State of Revision		Size: A 2		Material No.: 952 201 011 0	
1) Tolerance Class Applied Crossmarked		540		WABCO Id. No.: 9522010110	
		Function Code: _____		Doc. Code: 005	
		CAD System: _____		Language: ML	
		Prod. Type: _____		Sheet: 1/1	
		Pro/E		Replacement for: _____	