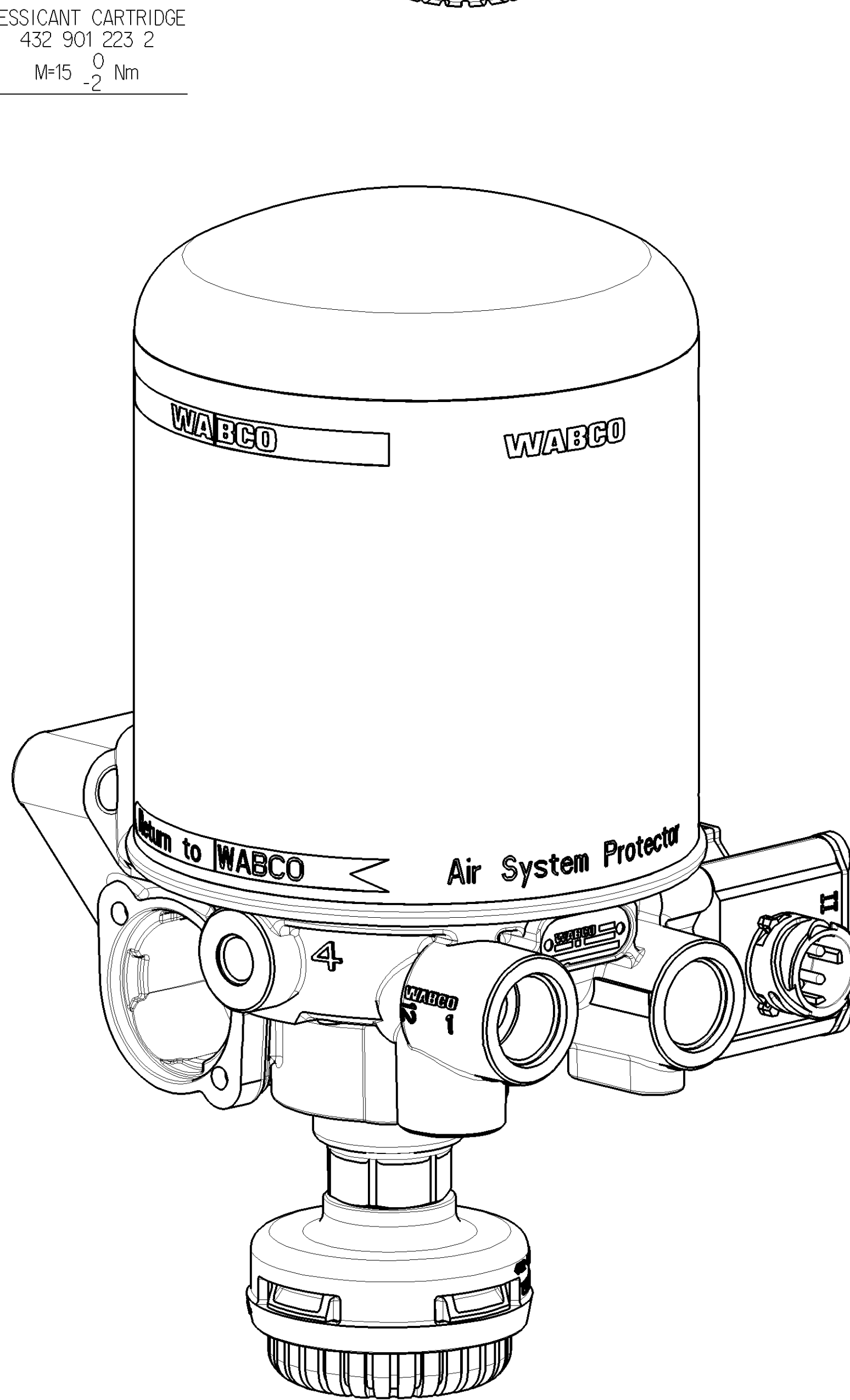
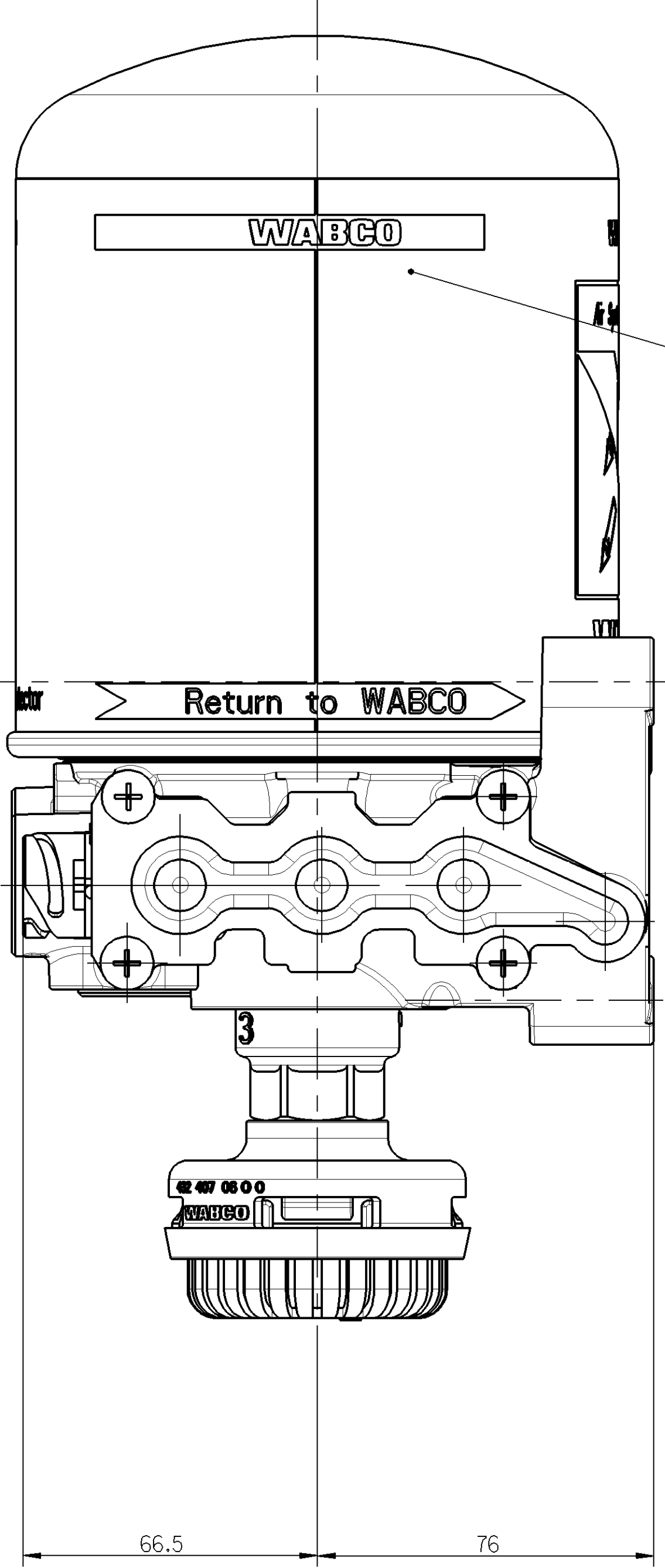
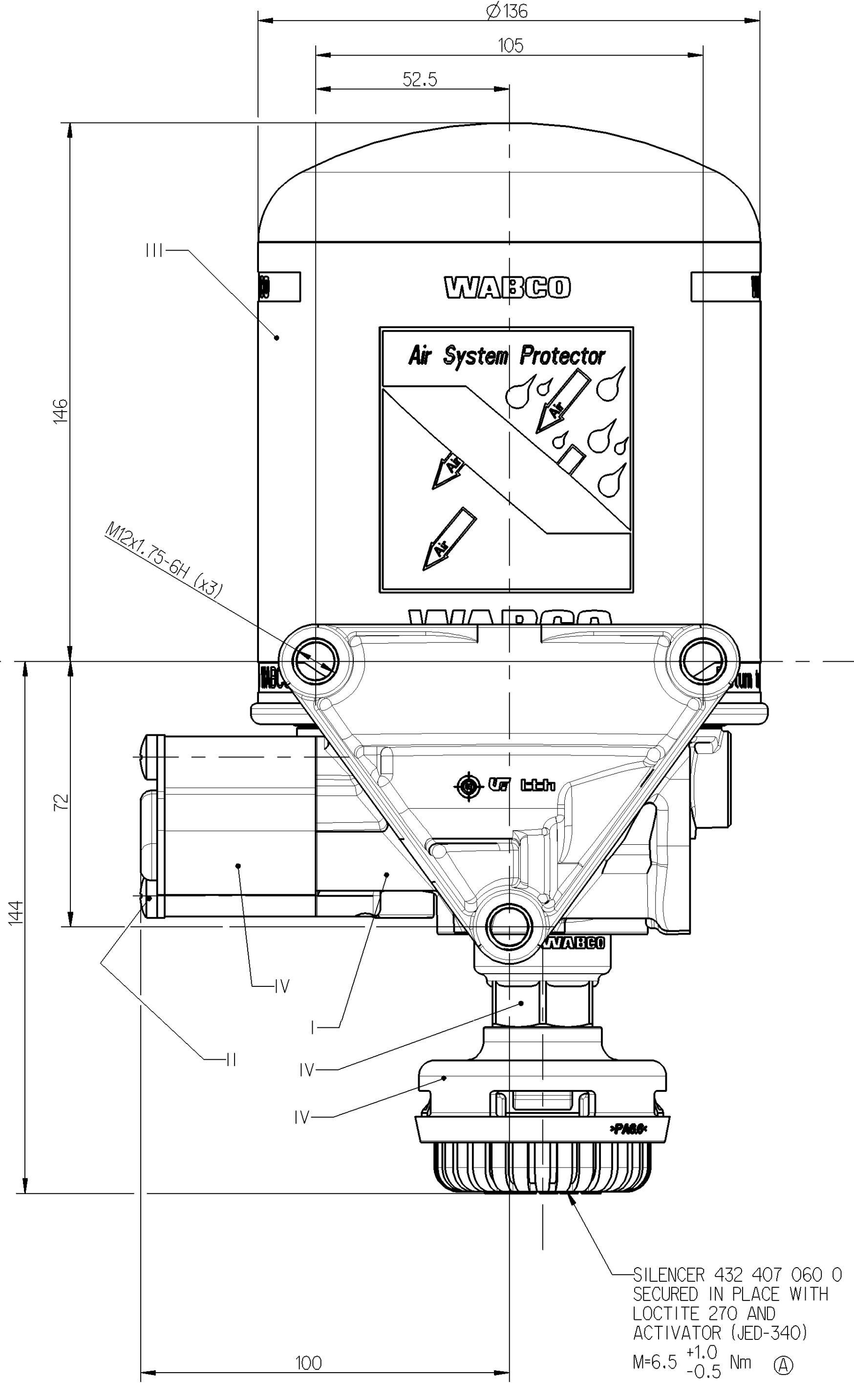
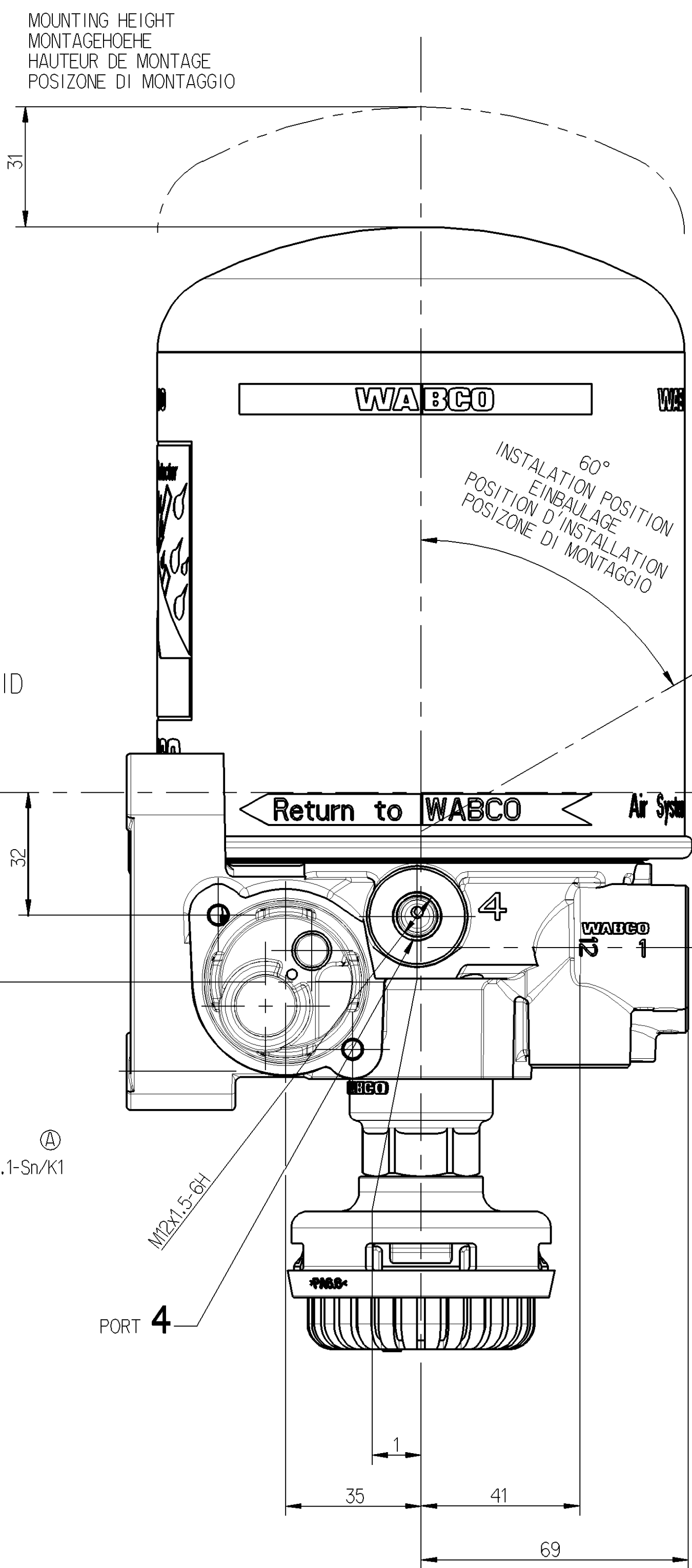
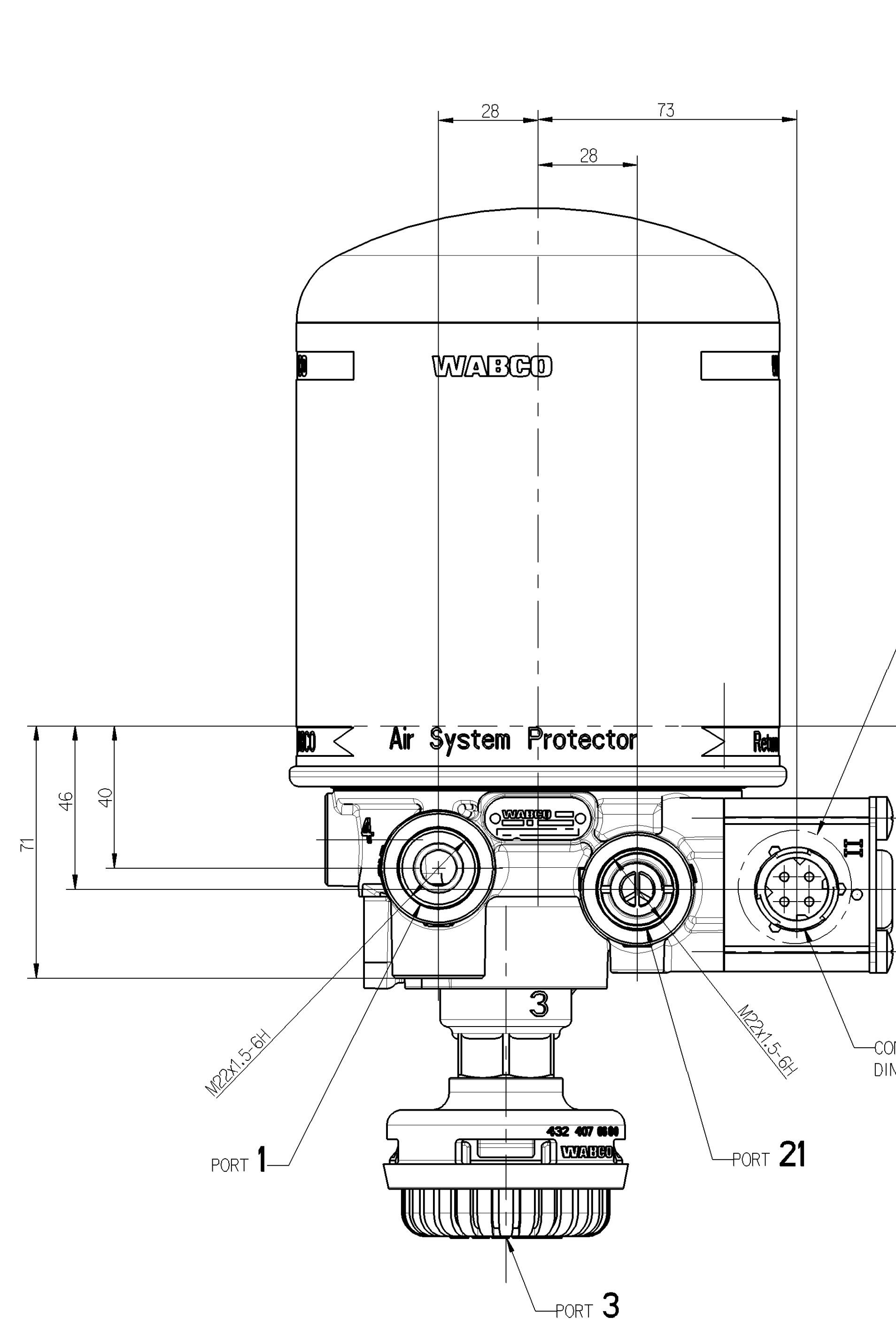
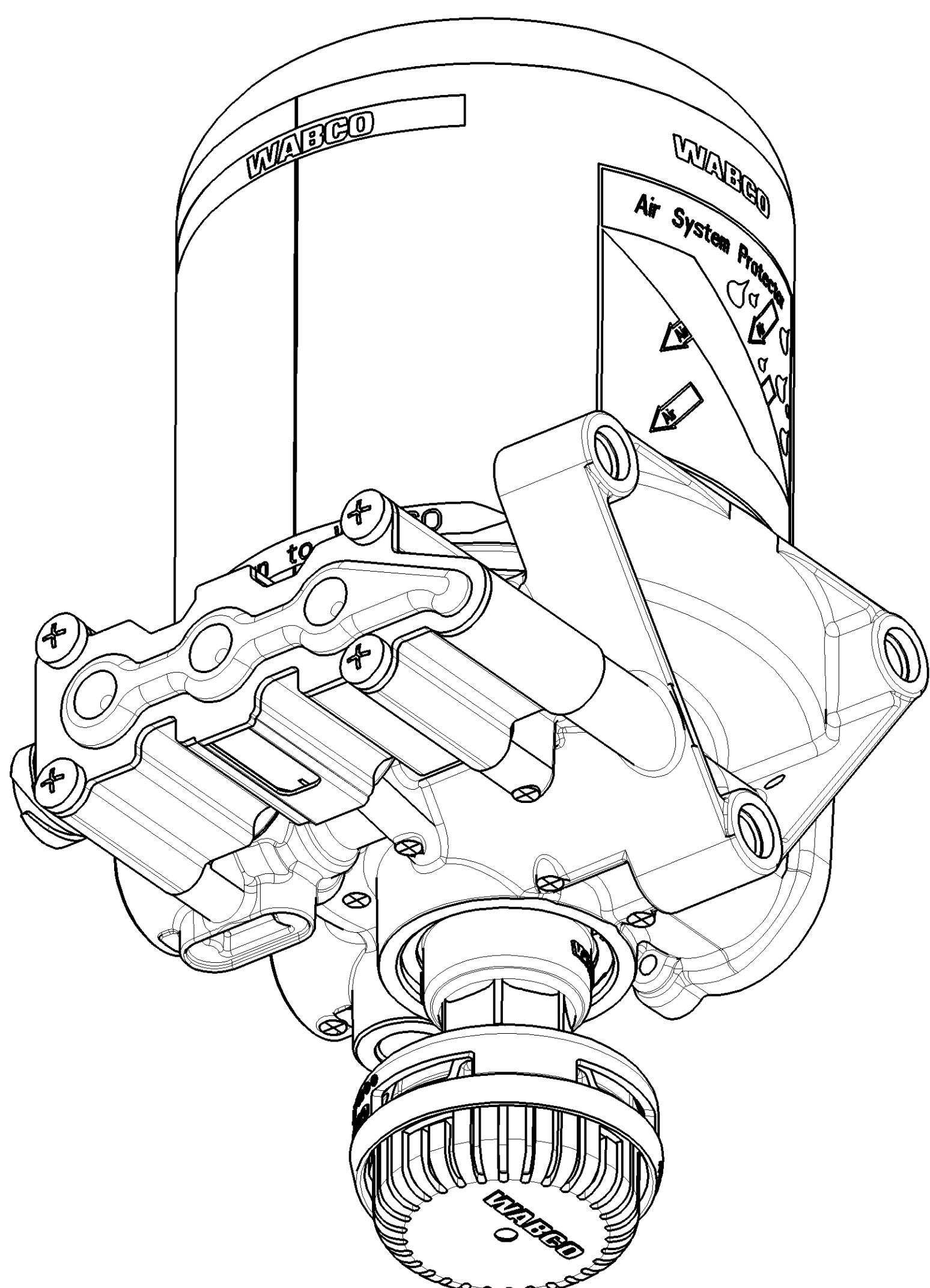


SURFACE PROTECTION
OBERFLÄCHENSCHUTZ
PROTECTION DE SURFACE
PROTEZIONE SUPERFICIALE

I	JED-259
II	JED-256
III	JED-471 : WHITE/WEISS
IV	PLASTIC/KUNSTSTOFF



THERMAL RANGE OF CONTINUOUS APPLICATION: -40°C...+65°C
THERMISCHER DAUERANWENDUNGSBEREICH: -40°C...+65°C
PLAGE DE TEMPERATURE EN UTILISATION CONTINUE: -40°C...+65°C
COMPO DI APPLICAZIONE CONTINUA: -40°C...+65°C

RESISTANCE TO HEAT: +80°C MAXIMUM
WAERMEBESTAENDIGKEIT: +80°C MAXIMUM
RESISTANCE A LA CHALEUR: +80°C MAXIMUM
RESISTANZA AL CALORE: +80°C MAXIMUM

MEDIUM: COMPRESSED AIR
FLUIDE: AIR COMPRIE
FLUIDO: ARIA COMPRESSA

WORKING PRESSURE: Pe MAXIMUM=13bar
BETRIEBSDRUCK: Pe MAXIMUM=13bar
PRESSION DE SERVICE: Pe MAXIMUM=13bar
PRESSIONE DI ESERCIZIO: Pe MAXIMUM=13bar

INSTALLATION POSITION AS DRAWN
EINBAUWEISE WIE GEZEICHNET
POSITION D'INSTALLATION SUIVANT DESSIN
POSIZIONE DI MONTAGGIO COME DISEGNATO

TORQUE FOR CONNECTIONS:
ANZUGSMOMENT FUER EINSCHRAUBSTUTZEN:
COUPLE DE SERRAGE DES RACCORDS:
COPPIA DI SERRAGGIO DE RACCORDI:

DYNAMIC PRESSURE OF THE SAFETY VALVE:
STAUEDRUCK DES SICHERHEITSVENTILES:
PRESSION DYNAMIQUE DU SOUPAPE DE SECURITE:
PRESSIONE DINAMICA DELLA VALVOLA DI SICUREZZA:

GOVERNOR

(6.3) SOLENOID VENTILMAGNET SOLENOID AIMANT

WORKING VOLTAGE: 24.5/-4.4V DC
BETRIEBSSPANNUNG: 24.5/-4.4V DC
VOLTAGE D'UTILISATION: 24.5/-4.4V DC
VOLTAGGIO DI ESERCIZIO: 24.5/-4.4V DC

NOMINAL CURRENT: 0.32A
NENNSTROM: 0.32A
COURANT NOMINAL: 0.32A
CORRENTE NOMINALE: 0.32A

SERVICE CONDITION: 100% ED
BETRIEBSART: 100% ED
CONDITION DU SERVICE: 100% ED
CONDIZIONE DI SERVIZIO: 100% ED

REGENERATION

(6.1) SOLENOID VENTILMAGNET SOLENOID AIMANT

WORKING VOLTAGE: 24.5/-4.4V DC
BETRIEBSSPANNUNG: 24.5/-4.4V DC
VOLTAGE D'UTILISATION: 24.5/-4.4V DC
VOLTAGGIO DI ESERCIZIO: 24.5/-4.4V DC

NOMINAL CURRENT: 0.5A
NENNSTROM: 0.5A
COURANT NOMINAL: 0.5A
CORRENTE NOMINALE: 0.5A

SERVICE CONDITION: 50% ED
BETRIEBSART: 50% ED
CONDITION DU SERVICE: 50% ED
CONDIZIONE DI SERVIZIO: 50% ED

- 1 FROM THE COMPRESSOR
VOM KOMPRESSOR
PROVENANT DU COMPRESSEUR
PROVENIENTE DEL COMPRESORE
- 12 AUXILIARY FILL
HILFSFUELLUNG
L'AUXILIAIRE REMPLIT
L'AUXILIARE RIEMPE
- 21 TO THE RESERVOIRS
ZU DEN LUFTRBEHAELTERN
AUX RESERVOIR
AL SERBATOII PER
- 3 EXHAUST FOR COMPRESSED AIR
ENTLUEFTUNG FUER DRUCKLUFT
ECHAPPEMENT POUR AIR COMPRIE
SCARICO PER ARIA COMPRESSA
- 4 TO THE COMPRESSOR
ZUM KOMPRESSOR
AU COMPRESSEUR
AL COMPRESORE
- 6 ELECTRICAL CONTROL
ELEKTRISCHER STEUERANSCHLUSS
COMMANDE ELECTRIQUE
COMANDO ELETTRICO

General Specification: 432-354-0		Date: 2010-01-19		Sheet: 1/1	
Further Technical Data:		Drawing: 2010-01-19		Title: ELECTRICALLY CONTROLLED AIR DRYER	
Class: II		Material: 432 425 105 0		ELECTRICALLY CONTROLLED AIR DRYER	
Flow: 1.0		M1 (2x1)		EL-EKSTRIKTER LUFTRUOCKNER	
Medium: 1.0		M1 (2x1)		DESSICATEUR ELECTRIQUEMENT COMMANDE D'AIR	
Colour: 2.0		M1 (2x1)		DESSICATORE ELETTRICAMENTE CONTROLLATO DELL'ARIA	
Trapped Holes acc.:		A O		M1 (2x1)	
Tolerance class: applied		A O		M1 (2x1)	