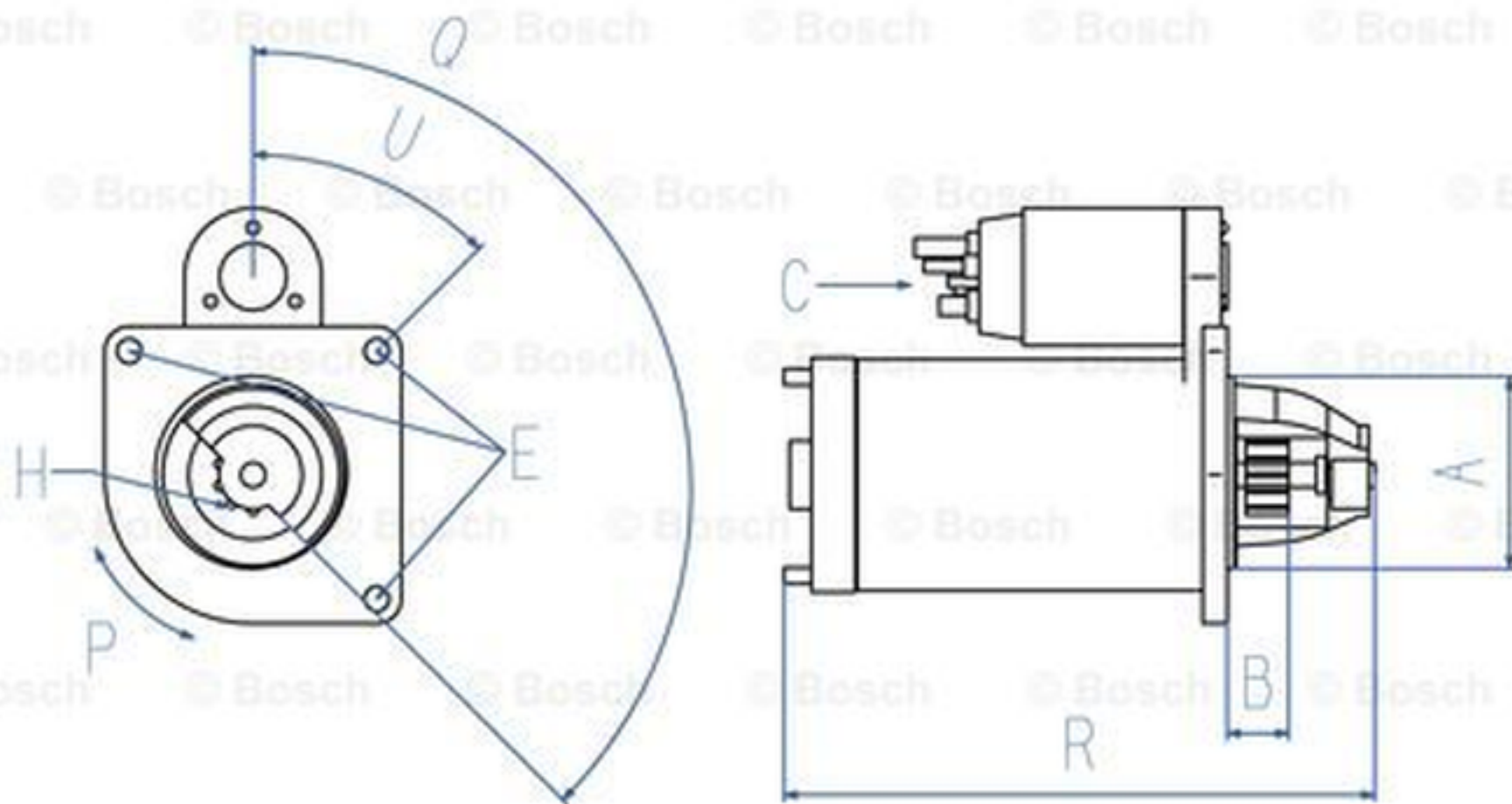


12 V, 0,9 kW



### Technical Data

|   |        |   |   |   |             |
|---|--------|---|---|---|-------------|
| A | 67 mm  | E | 11 mm, 11 mm, 11 mm   | Q | 130 °       |
| B | 42 mm  | H | 9   | R | max. 233 mm |
| C | 30, 50 | P |  | U | 37 °        |