

THE VALVE CORRESPONDS TO THE REGULATIONS FOR ELECTROMAGNETIC DEVICES ACCORDING TO VDE 0580
 DAS GERÄT ENTSPRICHT DEN BESTIMMUNGEN FUER ELEKTROMAGNETISCHE GERÄTE NACH VDE 0580
 LE VALVE CORRESPOND AUX CONDITIONS POUR DES APPAREILS ELECTROMAGNETIQUES SUIVANT VDE 0580
 LA VALVOLA CORRISPONDE ALLE CONDIZIONI PER APPARECCHI ELETTROMAGNETICHI SECONDO VDE 0580

MEDIUM : AIR
 MEDIUM : LUFT
 FLUIDE : AIR
 FLUIDO : ARIA

VOLTAGE :
 SPANNUNG : 24^{±0.5} V DC
 VOLTAGE :
 VOLTAGGIO :

WORKING PRESSURE :
 BETRIEBSDRUCK : p_s = 1.....11 bar
 PRESSION D'UTILISATION :
 PRESSION DI ESERCIZIO :

NOMINAL CURRENT :
 NENNSTROM : 0.41 A
 COURANT NOMINAL :
 CORRENTE NOMINALE :

PERMISSIBLE PRESSURE :
 ZULAESSIGER DRUCK : p_s ≤ 12.5 bar
 PRESSION ADMISSIBLE :
 PRESSIONE AMMISSIBILE :

NOMINAL DIAMETER SUPPLY ø2.2mm , EXHAUST ø3mm
 NENNWEITE BELUEFTUNG ø2.2mm , ENTLUEFTUNG ø3mm
 DIAMETRE NOMINAL ALIMENTATION ø2.2mm , ECHAPPEMENT ø3mm
 DIAMETRO NOMINALE ALIMENTAZIONE ø2.2mm , SCARICO ø3mm

RELATIVE DUTY CYCLE :
 RELATIVE EINSCHALTDAUER : 100% ED
 PLAGE DE UTILISATION :
 DURATE DELL'INSERIMENTO :

THERMAL RANGE OF APPLICATION :
 THERMISCHER ANWENDUNGSBEREICH : -40°C....+100°C
 PLAGE THERMIQUE D'APPLICATION :
 CAMPO DI APPLICAZIONE TERMICA :

PROTECTION CLASS :
 SCHUTZKLASSE : III
 CLASSE DE PROTECTION :
 CLASSE DI PROTEZIONE :

TYPE OF PROTECTION :
 SCHUTZART :
 MODE DE PROTECTION :
 TIPO DI PROTEZIONE :

AND
 UND[®]
 E WITH SEALED CONNECTIONS 1,2,6
 MIT ABGEDICHTETEN ANSCHLUESSEN 1,2,6
 AVEC CONNEXIONS ETANCHEES 1,2,6
 CON CONNESSIONI SIGILLATI 1,2,6
 WITH SEALED CONNECTIONS 1,2,3,6
 MIT ABGEDICHTETEN ANSCHLUESSEN 1,2,3,6
 AVEC CONNEXIONS ETANCHEES 1,2,3,6
 CON CONNESSIONI SIGILLATI 1,2,3,6

POSITION OF INSTALLATION : OPTIONAL
 EINBAULAGE : BELIEBIG
 POSITION D'INSTALLATION : AU CHOIX
 POSIZIONE DI MONTAGGIO : A PIACERE

1 SUPPLY
 ENERGIEZUFLUSS VOM VORRAT
 ALIMENTATION
 ALIMENTAZIONE

2 DELIVERY
 ENERGIEABFLUSS IN DIE ARBEITSLEITUNG
 UTILISATION
 MANDATA

3 EXHAUST
 ANSCHLUSS ATMOSPHAERE
 ECHAPPEMENT
 SCARICO

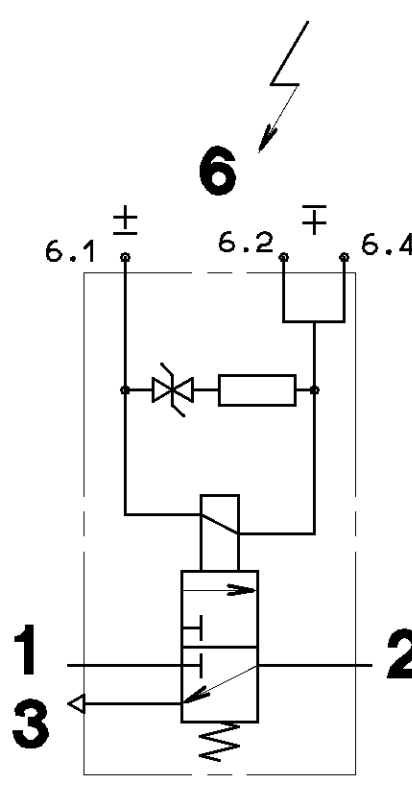
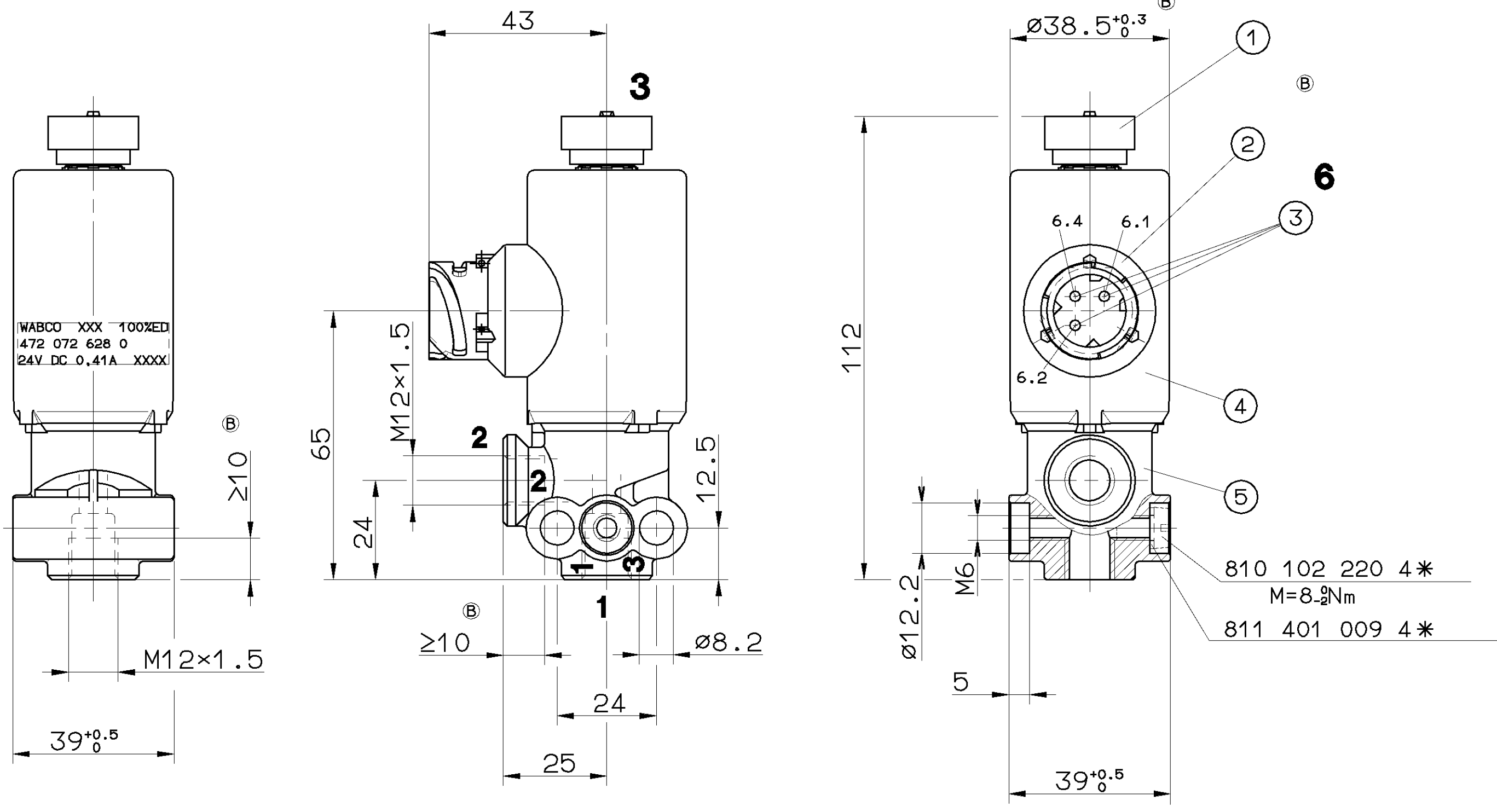
6 ELECTRIC TERMINAL
 ELEKTRISCHER ANSCHLUSS
 BORNE ELECTRIQUE
 MORSETTI ELETTRICI

VOLTAGE PEAKS ON BREAKING
 ABSCHALTSPANNUNGSSPITZEN < 65 | V
 VOLTAGE DE POINTE ALLA RUPTURE
 VOLTAGGI DELLE PUNTE ALLA ROTTURA

PLUG CONNECTION :
 STECKVERBINDUNG : DIN 72 585-A1-3.2-Sn/K1
 CONNEXION A FICHE
 COLLEGAMENTO A SPINA :

* NOT SUPPLIED
 NICHT IM LIEFERUMFANG
 NON FUORNI
 NON SI FORNISCONO

MATERIAL/SURFACE PROTECTION WERKSTOFF/OBERFLAECHENSCHUTZ MATIERE/PROTECTION DE SURFACE MATERIALE/PROTEZIONE SUPERFICIALE	
①	JED-354.1
②	JED-559
③	JED-570.616
④	JED-303/JED-739
⑤	JED-004M/JED-260



GENERAL SPECIFICATION: JED-334		CADAM-DRAWING COPYRIGHT	
FURTHER TECHNICAL DATA:		DATE: _____ SIGNATURE: _____	
DOC. CODE: _____ SHEET: _____ TO: _____		DRAWN: 94-02-01 WEBER	
GENERAL TOLERANCES		CHECKED: 94-02-01 TEICHMANN	
RANGE OF NOMINAL DIMENSIONS (± mm)		STANDARDIZATION: 94-02-02 PANTZER	
CLASS	1)	≤50	≤180
		>50	>180
		≤400	>400
FINE	×	0,5	1,0
MEDIUM	×	1,0	2,0
COARSE	×	2,0	3,5
		5,0	6,5
TAPPED HOLES ACC. ISO 4039 / JED-162		DATE: 95-08-08	
1) TOLERANCE CLASS APPLIED CROSSMARKED		DATE: 94-04-21	
DRAWING NO. 056599		REV. 7xB	
DATE 95-08-08		DATE 94-04-21	
SCALE 1:1		PRODUCT IDENTIFICATION NO. 472 072 628 0	
SIZE A 1		DOC. CODE 605	
SHEET 1/1		REPLACEMENT FOR 884 009 242 0	
SHAPE CODE		EXPERT CODE 71216	
PRODUCT TYPE 912			

NOTE: COMMUNICATION OF DOCUMENT, TITLE, DESCRIPTION, OR COMMUNICATION OF THE CONTENTS OF THIS DOCUMENT IS PROHIBITED WITHOUT THE WRITTEN PERMISSION OF THE COMPANY. THE COMPANY ASSUMES NO LIABILITY FOR THE USE OF THIS DOCUMENT BY OTHERS AND THE USER OF THIS DOCUMENT IS RESPONSIBLE FOR THE PROTECTION OF THE RIGHTS OF THE COMPANY. THE COMPANY ASSUMES NO LIABILITY FOR THE USE OF THIS DOCUMENT BY OTHERS AND THE USER OF THIS DOCUMENT IS RESPONSIBLE FOR THE PROTECTION OF THE RIGHTS OF THE COMPANY.