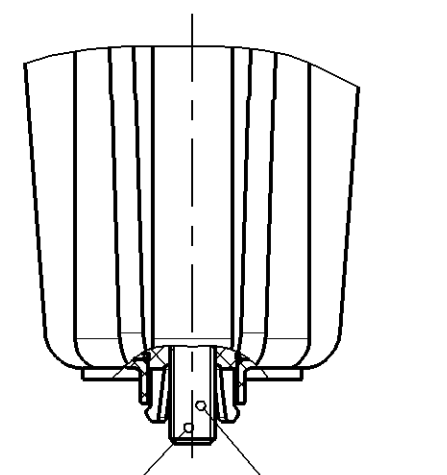
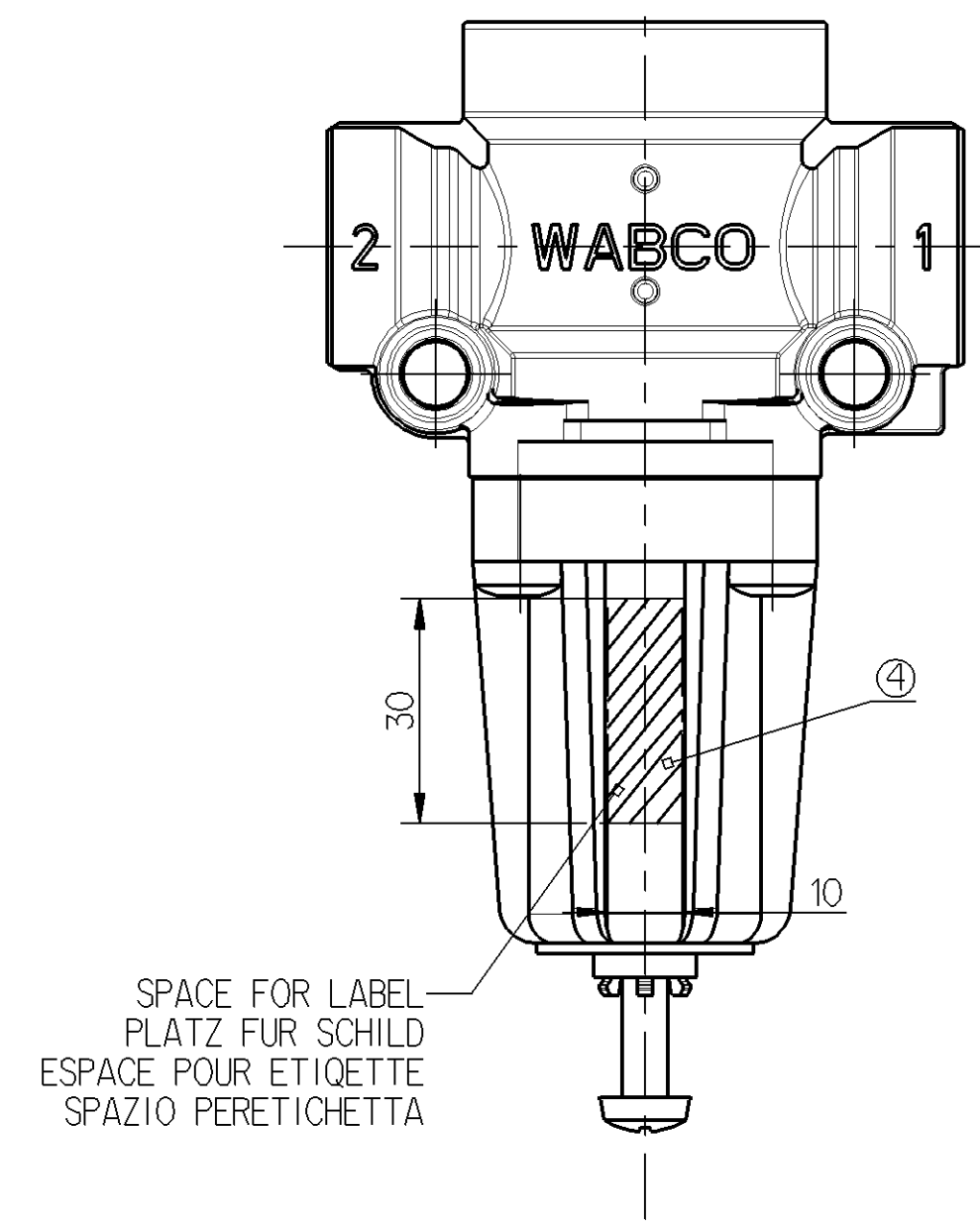
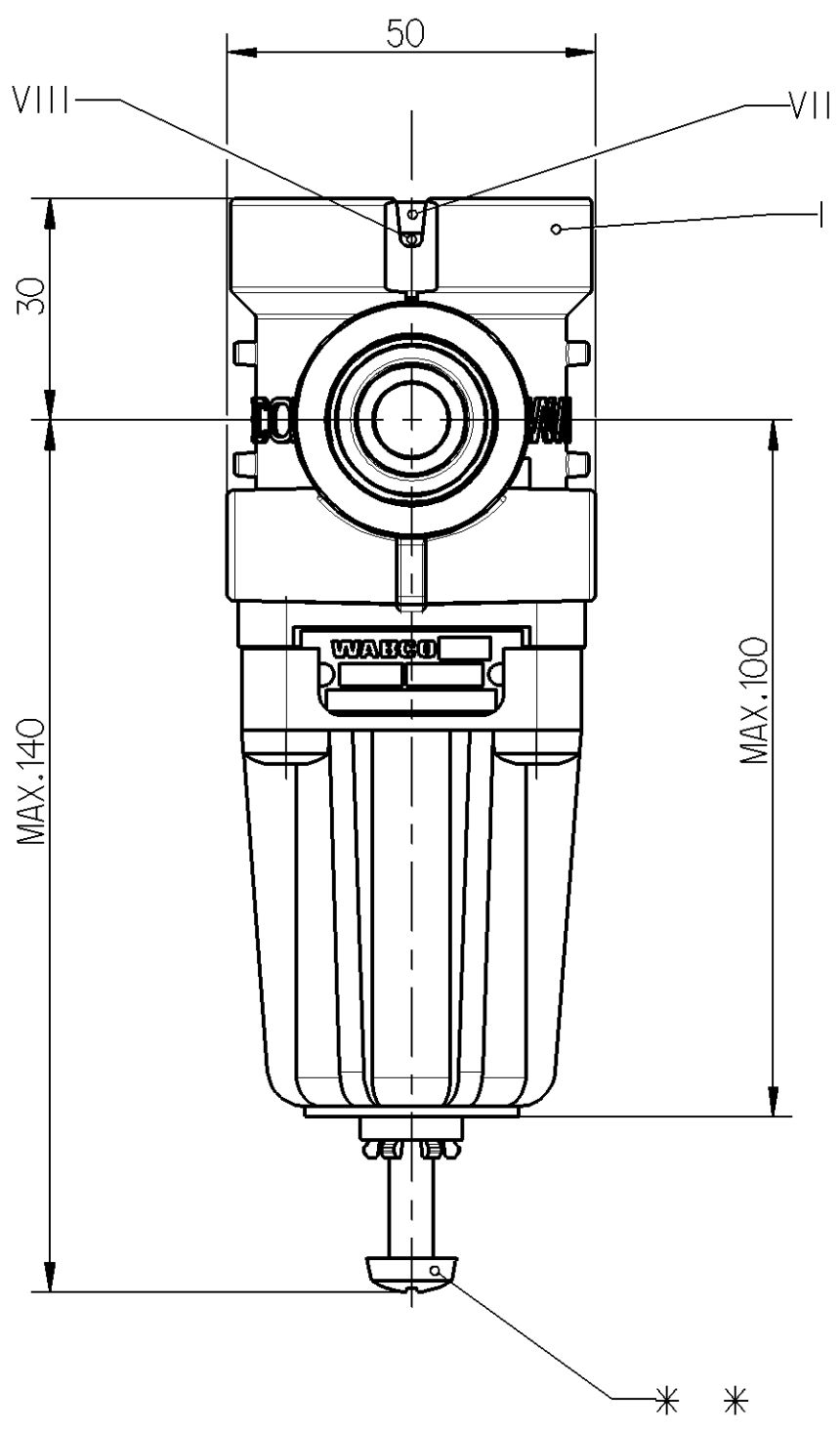
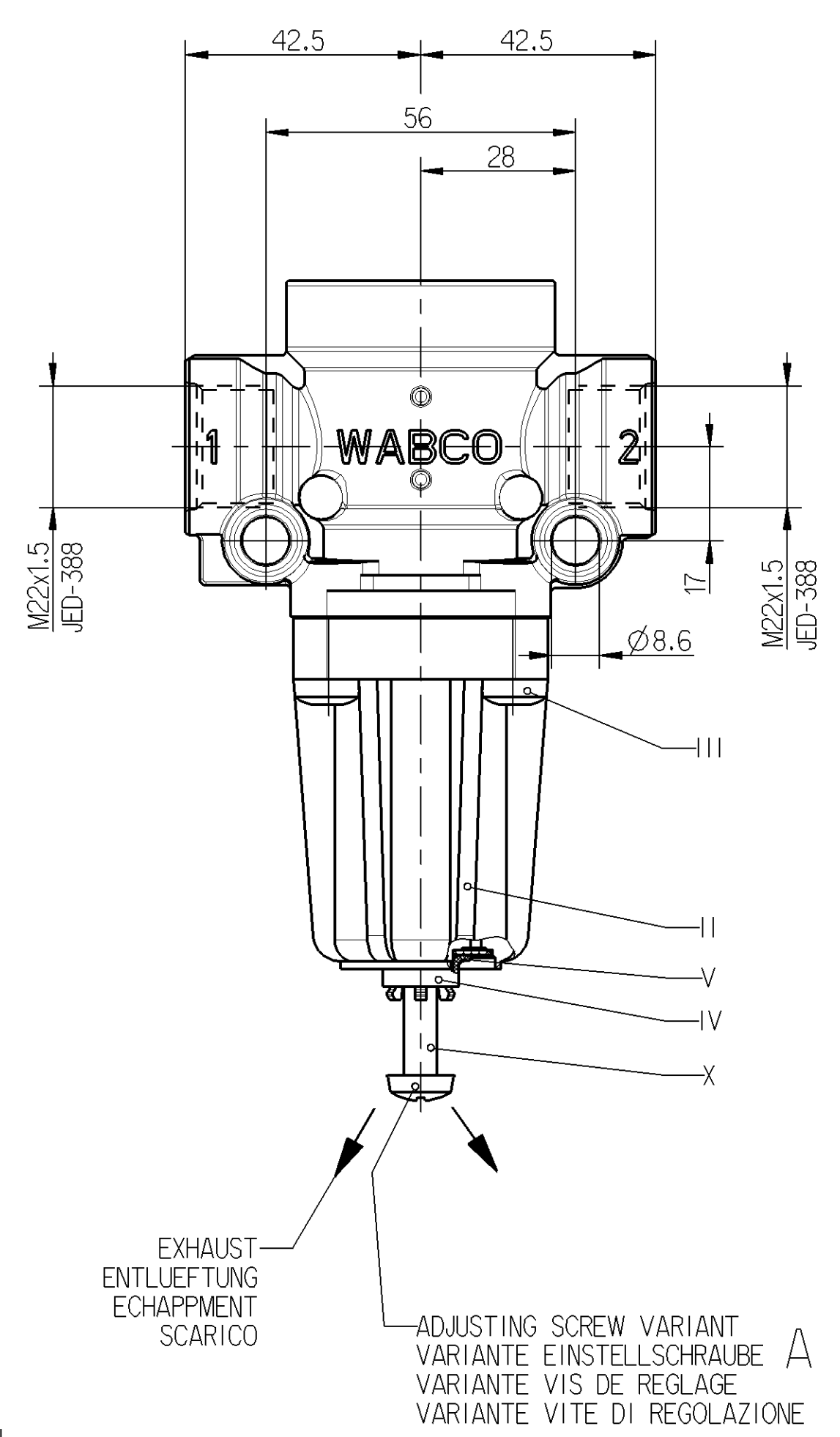
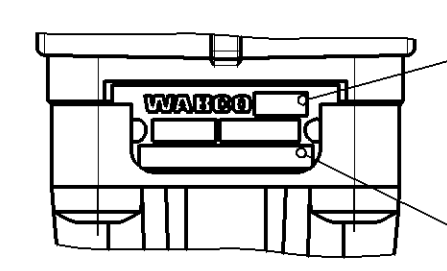


MATERIAL AND SURFACE PROTECTION	
I	AI JED-Q29 M1/C JED-259
II	PBT-GF JED-352-1
III	JED-O51 M4 JED-378
IV	POM JED-005 M1
V	NBR JED-235
VI	AL JED-O77 M1/JED-007-1
VII	PET-GF JED-357-1
VIII	Fe JED-O48 M1/phos./JED-371
IX	45H JED-256-1
X	JED-O50-M1 JED-256-3



ADJUSTING SCREW VARIANT
VARIANTE EINSTELLSCHRAUBE B IX
VARIANTE VIS DE REGLAGE
VARIANTE VITE DI REGOLAZIONE



DESIGN PERMISSIBLE
AUSFUEHRUNG ZULAESSIG
REALISATION ADMISE
DISEGNO AMMISSIBILE

EXHAUST
ENTLUEFTUNG
ECHAPPMENT
SCARICO

ADJUSTING SCREW VARIANT
VARIANTE EINSTELLSCHRAUBE A
VARIANTE VIS DE REGLAGE
VARIANTE VITE DI REGOLAZIONE

MEDIUM: AIR
MEDIUM: LUFT
FLUIDE: AIR
FLUIDO: ARIA

THERMAL RANGE OF APPLICATION:
THERMISCHER ANWENDUNGSBEREICH: -40° ... +80°C
GAMME D'APPLICATION THERMIQUE:
CAMPO DI APPLICAZIONE TERMICA:

NOMINAL DIAMETER
NENNWEITE
DIAMETRE NOMINAL
DIAMETRO NOMINALE

SUPPLY:
BELUEFTUNG:
ALIMENTAZIONE:

EXHAUST:
ENTLUEFTUNG:
ECHAPPMENT:
SCARICO:

Ø10 Ø4

INSTALLATION POSITION AS DRAWN
EINBAULAGE WIE GEZEICHNET
POSITION D'INSTALLATION SUIVANT DESSIN
POSIZIONE DI MONTAGGIO COME DISEGNATO

±45° ±90°

PROTECTED
GESCHUETZT
PROTEGES
PROTETTI

INLET PRESSURE
EINGESTEUERTER DRUCK
PRESSION D'ALIMENTATION
PRESSIONE DI ALIMENTAZIONE

pe max. =20bar

DELIVERY PRESSURE
AUSGESTEUERTER DRUCK
PRESSION DELIVREE
PRESSIONE EROGATA

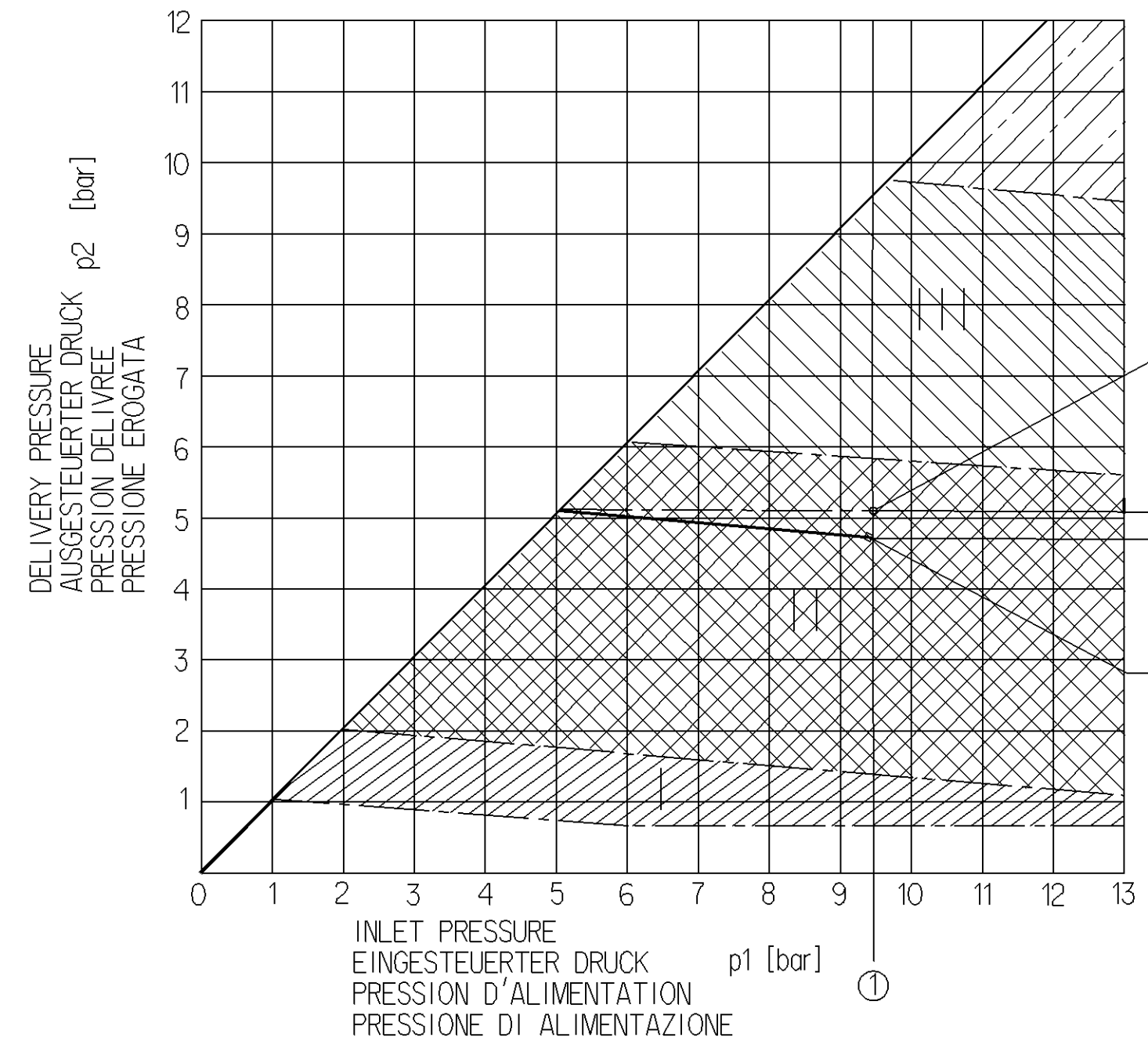
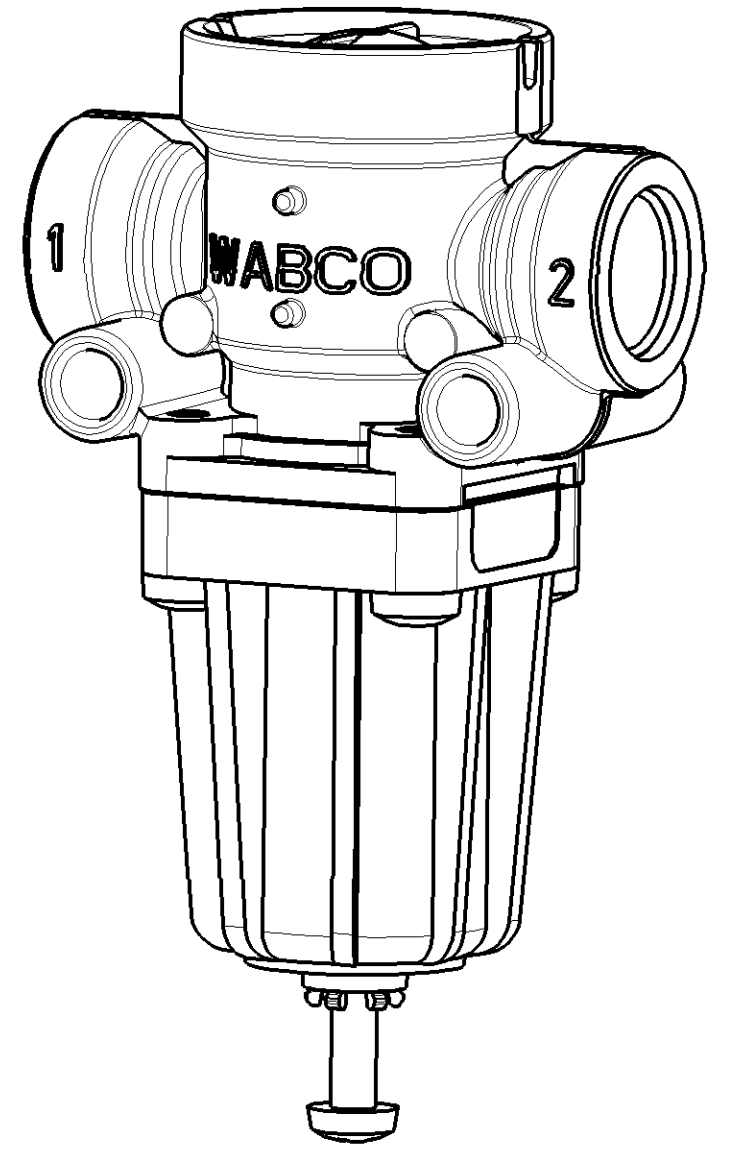
TORQUE FOR CONNECTIONS:
ANZUGSMOMENT FUER EINSCHRAUBSTUTZEN:
COUPLE DE SERRAGE DES RACCORDS:
COPPIA DI SERRAGGIO DEI RACCORDI:

M22x1.5 : Mmax. =53 Nm

SMALLER AIR FLOW
GERINGERER LUFTSTROM
DEBIT D' AIR INFERIEUR
PORTATA D' ARIA MINORE

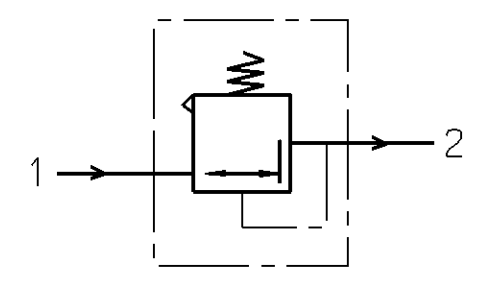
* * ADJUSTMENT MARKED WITH PAINT
EINSTELLUNG MIT LACK GEKENZEICHNET
AJUSTAGE MARQUE AVEC VERNIS
REGOLAZIONE MARCATO CON VERNICE

* * * ADJUSTING SCREW VARIANT
VARIANTE EINSTELLSCHRAUBE
VARIANTE VIS DE REGLAGE
VARIANTE VITE DI REGOLAZIONE



PRESSURE LIMITATION BY FIRST DELIVERY
DRUCKBEGRENZUNG BEIM ERSTEN AUFFUELLEN
LIMITATION PENDANT UNE PREMIERE REMPLISSAGE
LIMITAZIONE COL PRIMO RIEMPIRIMENTO

PRESSURE LIMITATION AFTER CONSUMPTION
DRUCKBEGRENZUNG NACH VERBRAUCH
LIMITATION APRES CONSOMMATION
LIMITAZIONE DOPPO CONSUMO



12.3	8.5 +0/-0.4	0.4	B	475 010 339 0		*		SALMON ORANGE RAL2012
12.3	10 +0.2/-0	0.4	B	475 010 338 0		*		TRAFFIC BLUE RAL5017
10	8.5 +0/-0.4	0.4	B	475 010 335 0		*		TELEMAGENTA RAL4010
7.5	2.5 +0/-0.3	0.4	B	475 010 334 0		*		
12.5	9.3 +0.3/-0.3	0.4	A	475 010 333 0		*		
10	3.5 +0.3/-0	0.4	B	475 010 332 0		*		
12	8 +0/-0.2	0.4	B	475 010 331 0		*		
12	6.5 +0.3/-0	0.5	B	475 010 330 0		*		
10	5.0 +0.2/-0	0.4	A	475 010 329 0		*		
10	2.5 +0.3/-0	0.4	A	475 010 328 0		*		
12.3	8.5 +0.2/-0	0.4	A	475 010 326 0		*		
10	3.5 +0.3/-0	0.4	A	475 010 325 0		*		
8	4.6 +0.2/-0	0.4	A	475 010 323 0		*		
8	4.2 +0.2/-0	0.4	A	475 010 322 0		*		
7.5	6.0 +0.3/-0	0.4	A	475 010 321 0		*		
7.5	5.5 +0.2/-0	0.4	A	475 010 320 0		*		
12	7.5 +0.3/-0	0.4	A	475 010 319 0		*		
12	8.0 +0/-0.2	0.4	A	475 010 318 0		*		
12	6.5 +0.3/-0	0.5	A	475 010 317 0		*		
7.5	5.7 +0.3/-0	0.4	A	475 010 316 0		*		
7.5	5.3 +0.3/-0	0.4	A	475 010 315 0		*		
10	7.0 +0.3/-0	0.4	A	475 010 314 0		*		

①	②	③	* * *	WABCO	CUSTOMER'S NO. KUNDEN-NR. NO. CLIENT NO. CLIENTE	RANGE OF ADJUSTMENT EINSTELLBEREICH GAMME DE REGLAGE CAMPO DI REGOLAZIONE	ZGS	CAD	COLOUR OF LABEL FARBE DES SCHILDES COULEUR DE L' ETIQUETTE COLORE DELL' ETICHETTA
---	---	---	-------	-------	---	--	-----	-----	--

General Specification: JED-334-0

Copyright WABCO

Doc. Code: Sheet: To:

2007-09-21 | M.OLYN
2007-09-21 | Dr. Wilms

General Tolerances JED-261

Class	1)	≤ 50	> 50 - 180	> 180 - 400	> 400
Fine	X	0.5	1.0	1.5	2.0
Medium		1.0	2.0	3.0	4.0
Coarse		2.0	3.5	5.0	6.5

Range of Nominal Dimensions (± mm)

0.385 R16 1:1 ±3%

Size: A 1 530

Material No. 475 010 398 0

WABCO is. No. 4750103980

Doc. Code Language Sheet

053 09/09 1/11

Function Code CAD System Prod. Type Replacement for

Pro/E

1) Tolerance Class Applied Crossmarked