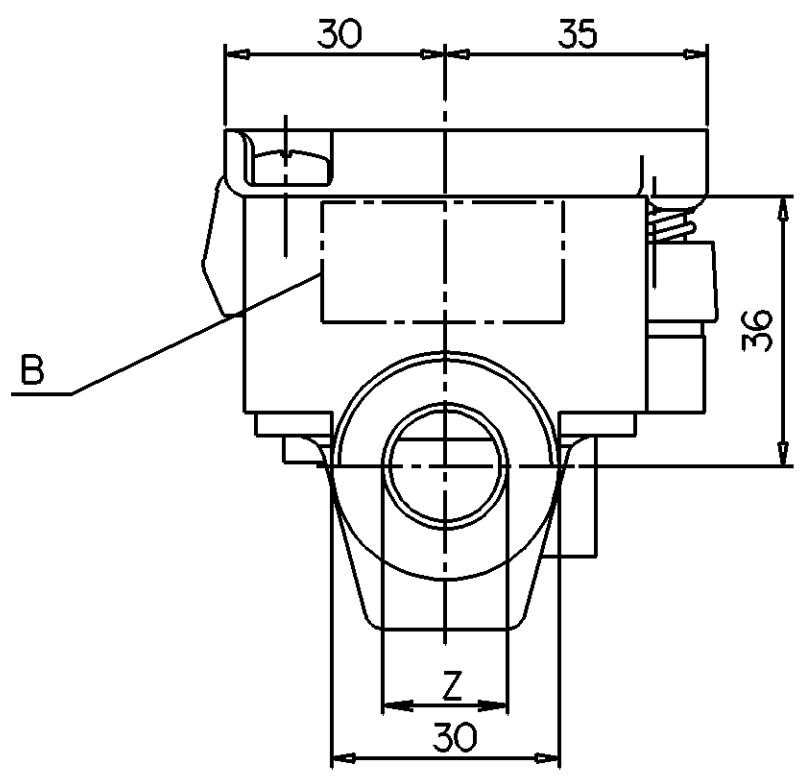
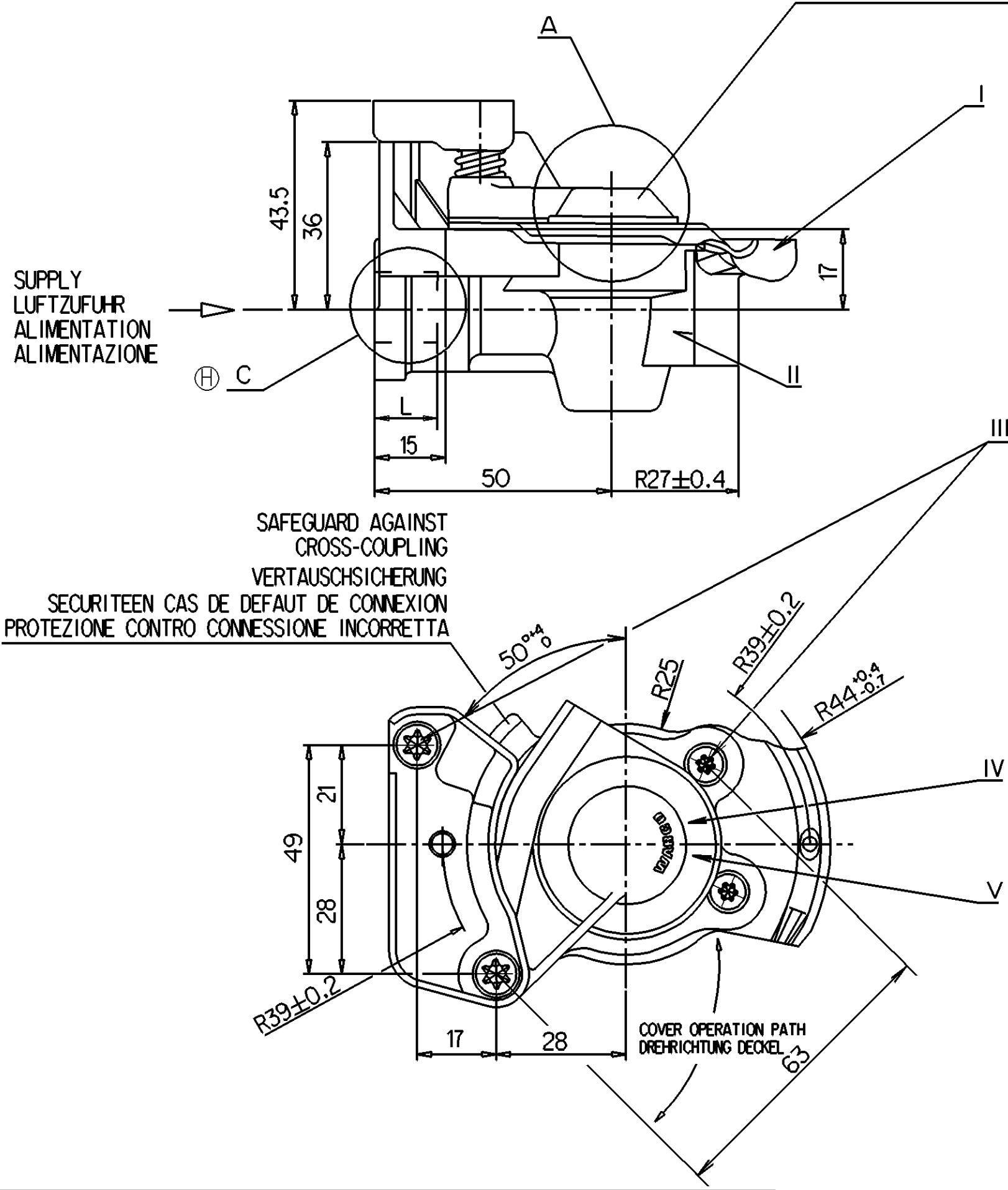
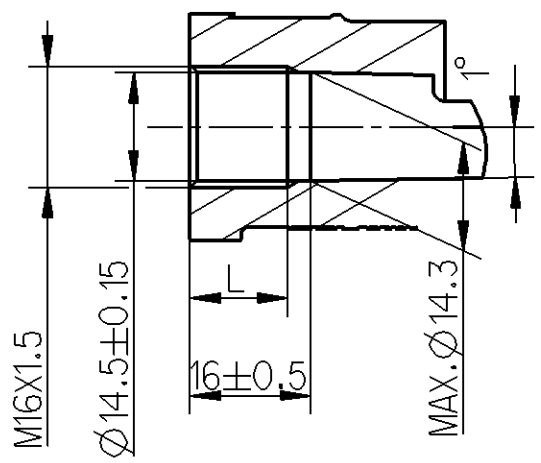


MATERIAL AND SURFACE PROTECTION OF ELEMENT			
I	JED-475-2	JED-257	GUIDE, FUEHRUNG, GUIDE, GUIDA
II	JED-029M1	JED-259	BODY, GEHAEUSE, CORPO, CORPS USINE
III	8.8	JED-257	SCREW, SCHRAUBE, VIS, VITE
IV	POM, PP	-	COVER, DECKEL, COUVERCLE, COPERCHIO
V	JED-440.2	-	THRUST, DRUCKSTUECK, PULSANTE, POUSSOIR
VI	NEOPRANE	-	SEALING, DICHTEN, ETANCHEITE
VII	JED-484/JED-557	-	SIEVE FILTER, SIEB, FILTRE, FILTRO

COVER COLOUR YELLOW  
 VERSCHLUSDECKEL GELB  
 COUVERCLE COULEUR JAUNE  
 COPERCHIO COLORE GIALLO

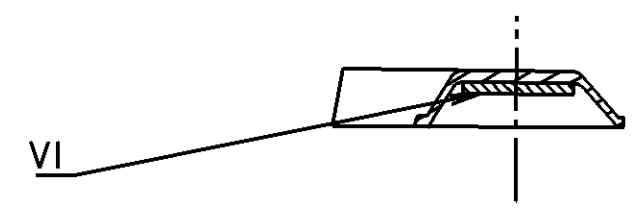


DETAIL C Ⓜ  
 ONLY FOR VARIANT 952 200 008 0  
 NUR FUR VARIANTE 952 200 008 0



DETAIL A

ONLY FOR VARIANT 952 200 905 0  
 NEOPRANE PLANE SEALING  
 NUR FUR VARIANTE 952 200 905 0  
 MOOSGUMMI FLACHDICHTUNG



DETAIL B

ONLY FOR VARIANT 952 200 226 0  
 CUSTOMER'S INFORMATION  
 NUR FUR VARIANTE 952 200 226 0  
 KUNDENSCHILD



952 200 008 0		M16x1.5	-	13±1	34	Ⓜ
452 200 212 0		M22x1.5	-	min 15.5	53	
952 200 905 0		M16x1.5	ADDITIONAL SEALING ZUSATZLICHE DICHTUNG	min 13	34	
952 200 226 0		M16x1.5	JED-464 SIEVE FILTER, SIEB, FILTRE, FILTRO	min 13	34	
952 200 222 0		M16x1.5	-	min 13	34	
IDENTIFICATION BENENNING DENOMINATION DENOMINAZIONE	CUSTOMER NO. KUNDEN-NR. NO. DU CLIENT NO CLIENTE	Z	REMARKS BEMERKUNGEN REMARQUES NOTE	L	MAX TORQUE [Nm]	

General Specification: JED-334-0		Copyright WABCO®		<b>WABCO</b>	
Further Technical Data see PS 9522000000 doc.035		Date	Signature	HOSE COUPLING KUPPLUNGSKOPF TETE D'ACCOUPLMENT TESTA D'ACCOPIAMENTO	
Doc. Code:	Sheet: To	2013-03-29	Balaga	Material No. 952 897 010 0	
General Tolerances JED-261		2013-04-03	Hladik	Date of first issue: 06-04-10	
Range of Nominal Dimensions ( ± mm)		Expert		Doc. Code Language Sheet	
Class 1)	≤ 50 > 50 > 180 > 400	Buczyko		053 ML 1/1	
Fine	0.5 1.0 1.5 2.0	M16x1.5		ECN-No. 160951	
Medium	1.0 2.0 3.0 4.0	Scale 1:1		Revision 3 x H	
Coarse	2.0 3.5 5.0 6.5	Size CAD System		Techn. Resp. 5710	
Tapped Holes acc. JED-152		A 2 Pro/E		Replacement for	
1) Tolerance Class Applied Crossmarked		100mm			

Non è permesso consegnare o terzi o riprodurre questo documento, né utilizzare il contenuto o renderlo comunque noto a terzi.  
 E' fatto riserva di tutti i diritti. E' vietata espressamente la ristampa o l'uso non autorizzato senza permesso scritto dalla WABCO.  
 Toute communication ou reproduction de ce document, toute exploitation ou communication de son contenu sont interdites, sauf autorisation expresse. Toute réimpression ou autre réutilisation non autorisée sans la permission écrite de la WABCO est formellement interdite.  
 Alle Rechte für den Fall der Patentierung oder Gebrauchsmuster-Eintragung vorbehalten.