

MATERIAL AND SURFACE PROTECTION			
A	AL (JED-029M1) /C (JED-259)	E	ZN (JED-004M) /C (JED-260)
B	FE (JED-057M) /ZN-FE (JED-256.1)	F	8.8 /ZN (JED-256)
C	PA 6.6 (JED-354.1)	G	4.8 /ZN (JED-256)
D	PA 6.6 GK-35 (JED-559)		

THE VALVE CORRESPONDS TO THE REGULATIONS FOR ELECTROMAGNETIC DEVICES ACCORDING TO VDE 0580
 GERAET ENTSPRICHT DEN BESTIMMUNGEN FUER ELEKTROMAGNETISCHE GERAETE NACH VDE 0580
 LA VALVE CORRESPOND AUX CONDITIONS POUR DES APPAREILS ELECTROMAGNETIQUES SUIVANT VDE 0580
 LA VALVOLA CORRESPONDE ALLE CONDIZIONI PER APPARECCHI ELEKTROMAGNETICHI SECONDO VDE 0580

1.1 WORKING MEDIUM : AIR (WATER-, OIL AND ALCOHOL CONTAINING)
 ARBEITSMEDIUM : LUFT (WASSER-, OEL UND ALKOHOLHALTIG)
 FLUIDE D'UTILISATION : AIR (CHARGE D'EAU, D'HUILE ETD'ALCOOL)
 FLUIDO DI ESERCIZIO : ARIA (ACQUOSO, OLEIFERO E ALCOOLOSO)

1.2 WORKING ENVIRONMENT : AIR (WATER- AND SALT CONTAINING)
 UMGEBUNGSMEDIUM : LUFT (WASSER- UND SALZHALTIG)
 FLUIDE AMBIANTE : AIR (CHARGE D'EAU DE SEL)
 FLUIDO AMBIENTE : ARIA (ACQUOSO E SALIFERO)

2.1 THERMAL RANGE OF APPLICATION : UNDER NORMAL AMBIANT CONDITIONS :
 THERMISCHER ANWENDUNGSBEREICH :
 UNTER NORMALEN UMGEBUNGSBEDINGUNGEN : -40°...+80°C
 PLAGE DE TEMPERATURE EN UTILISATION CONTINUE DE CAMPO D'APPLICAZIONE TERMICA NELLE NORMALI CONDIZIONI AMBIENTALI :

2.2 SHORT TERM RESISTANCE TO HEAT : MAX. 1 h AT WITHOUT VOLTAGE
 KURZZEITIGE WAERMEBESTAENDIGKEIT : MAX. 1 h BEI 110°C OHNE SPANNUNG
 RESISTANCE A LA CHALEUR A COURTE DUREE : EN SANS VOLTAGE
 RESISTENZA AL CALORE BREVE TEMPO SOLO : IN SENZA VOLTAGGIO

3.1 WORKING PRESSURE (SUPPLY) : p_e = 5...13 bar
 BETRIEBSDRUCK (VORRAT) :
 PRESSION D'UTILIZATION (ALIMENTATION) :
 PRESSIONE DI ESERCIZIO (ALIMENTAZIONE) :

3.2 MAX. DYNAMIC PRESSURE (SERVICE LINE) : p_e = 20 bar
 MAX. DYNAMISCHER DRUCK (ARBEITSLEITUNG) :
 PRESSION DYNAMIQUE MAXI (CONDUITE DE SORTIE) :
 PRESSIONE DINAMICA MAX. (CONDOTTA D'USCITA) :

4.1 MIN. FLOW PASSAGE : /NOMINAL DIAMETER
 MIN. DURCHFLOSSEFFNUNG : /NENNWEITE
 MIN. ORIFICE CALIBRE : /DIAMETRE NOMINAL
 MIN. PASSAGGIO LIBERO : /DIAMETRO NOMINALE

4.2 PORT 1, 21, 22, 26, 31 : 78 mm² (≅Ø10mm)
 ANSCHLUSS 1, 21, 22, 26, 31 :
 ORIFICE 1, 21, 22, 26, 31 :
 ORIFIZIO 1, 21, 22, 26, 31 :

4.3 PORT 23, 24, 25 : 38 mm² (≅Ø7mm)
 ANSCHLUSS 23, 24, 25 :
 ORIFICE 23, 24, 25 :
 ORIFIZIO 23, 24, 25 :

4.4 PORT 32 : 59 mm² (≅Ø8.7mm)
 ANSCHLUSS 32 :
 ORIFICE 32 :
 ORIFIZIO 32 :

5 INSTALLATION LIMITATIONS : AT THE TOP, PREFERABLY
 EINBAUBESCHRAENKUNGEN : ** OBEN, VORZUGSWEISE
 RESTRICTIONS D'INSTALLATION : EN HAUT, PREFERENCE
 LIMITAZIONE DI MONTAGGIO : VERSO IL ALTO, PREFERENZA
 AT THE TOP
 EN HAUT
 VERSO IL ALTO

6 MAINTENANCE REQUIREMENTS : NONE
 WARTUNGSANFORDERUNGEN : KEINE
 ENTRETIEN : NON
 MANUTENZIONE : NON

7 VOLTAGE : 24 V +6 V
 SPANNUNG :
 VOLTAGE : -4.4 V
 VOLTAGGIO :

8 TYPE OF CURRENT : DIRECT CURRENT
 STROMART : GLEICHSTROM
 NATURE DU COURANT : COURANT CONTINU
 NATURA DELLA CORRENTE : CORRENTE CONTINUA

9 SERVICE CONDITION : VALVE 100% ED/5min VALVE
 BETRIEBSART : VENTIL I (-40°C ± +60°C) VENTIL II 100% ED
 CONDITION DU SERVICE : CLAPET 50% ED/5min CLAPET
 CONDIZIONE DI SERVIZIO : VALVOLA (+60°C ± +80°C) VALVOLA

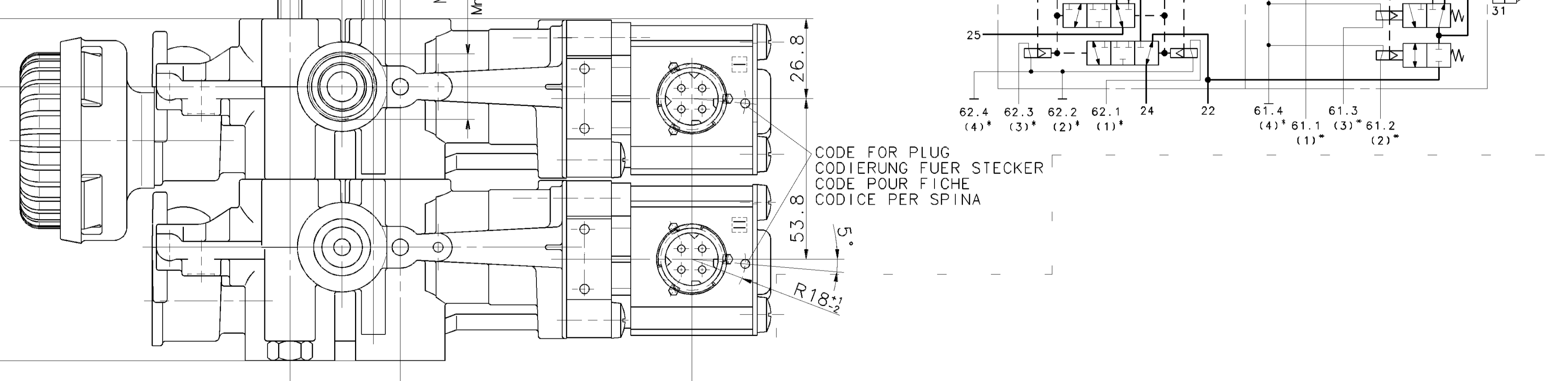
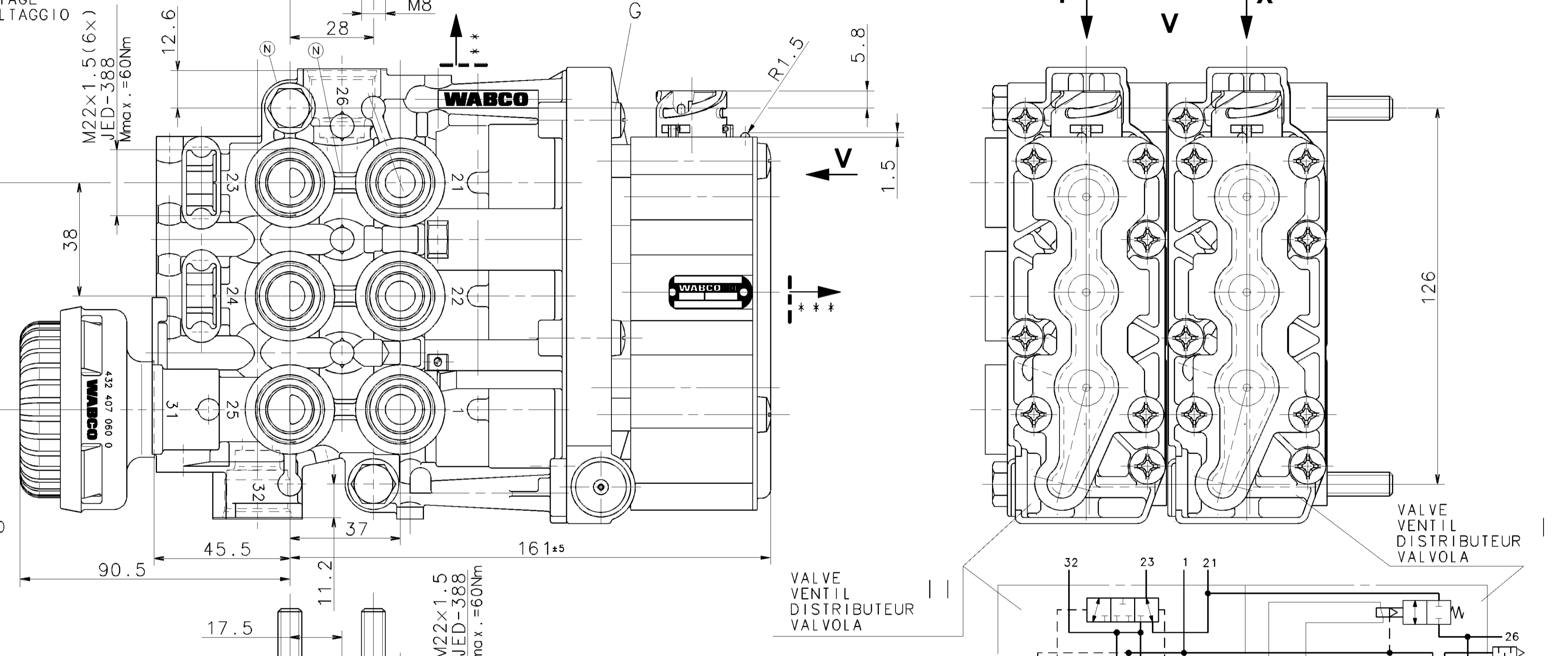
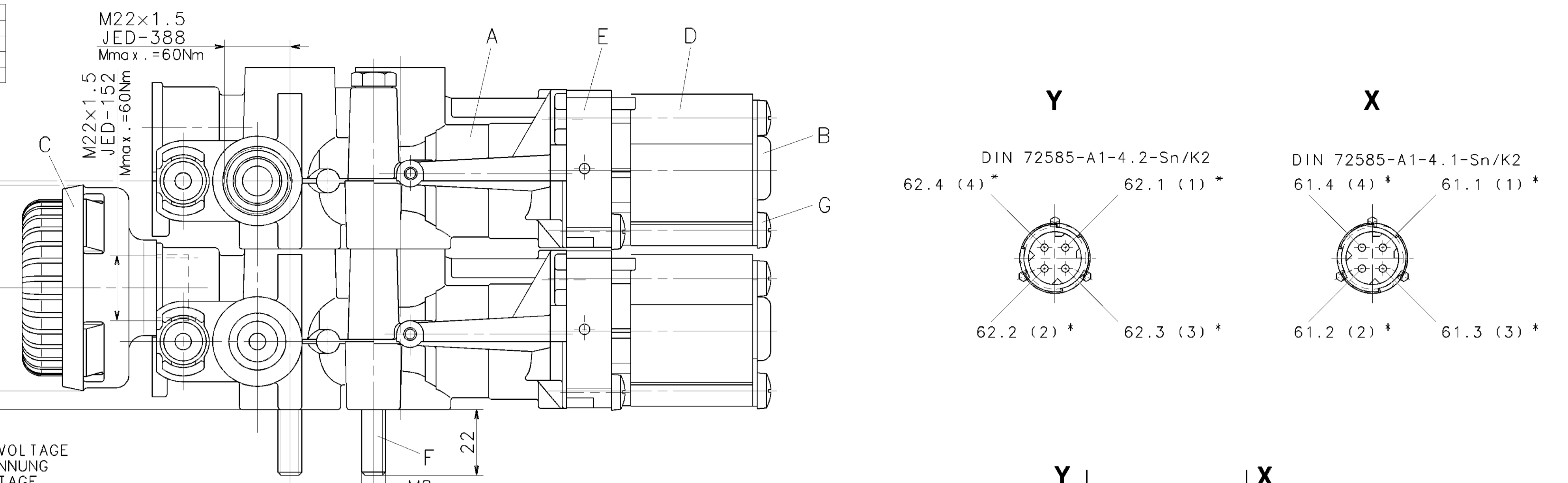
10 SECURITY AGAINST THE CONFUSING OF POLES : EXISTING
 VERPOLSICHERHEIT : VORHANDEN
 DISPOSITIF DE TROMPEUR DE POLES : EXISTANT
 SICUREZZA CONTRO L'INVERSIONE DEI POLI : ESISTENTE

11 NOMINAL CURRENT AT ROOM TEMPERATURE : I_N = 0.32 A
 NENNSTROM BEI RAUMTEMPERATUR :
 COURANT NOMINAL A LA TEMPERATURE AMBIANTE :
 CORRENTE NOMINAL ALLA TEMPERATURA AMBIENTE :

12 TYPE OF PROTECTION ACC. TO DIN 40050 : IP 6K6K
 SCHUTZART NACH DIN 40050 :
 MODE DE PROTECTION SUIVANT DIN 40050 :
 TIPO DI PROTEZIONE SECONDO DIN 40050 :

13 PROTECTION CLASS : III
 SCHUTZKLASSE :
 CLASSE DE PROTECTION :
 CLASSE DI PROTEZIONE :

* SOCKET : GERAETESTECKDOSE
 PRISE DE COURANT
 PRESA DI CORRENTE



GENERAL SPECIFICATION:		JED-334	075983	2xN	01-11-30
FURTHER TECHNICAL DATA:			075962	2xM	01-08-21
DOC. CODE:		SHEET: TO	075927	8xL	01-02-12
GENERAL TOLERANCES			061243	1xJ	98-02-12
RANGE OF NOMINAL DIMENSIONS (± mm)			061236	1xJ	97-09-30
			061220	8xH	97-02-26
			055778	2xG	95-09-11
			056714	2xF	95-02-14
			053292	4xE	94-10-27
			055720	4xD	94-10-11
			053259	4xC	94-05-31

CLASS	1)	≤50	>50 ≤180	>180 ≤400	>400	Δ
FINE	0.5	1.0	1.5	2.0		
MEDIUM	1.0	2.0	3.0	4.0	± 3'	
COARSE	2.0	3.5	5.0	6.5		

TAPPED HOLES ACC. 150 4039 / JED-152 //JED-388

1) TOLERANCE CLASS APPLIED CROSSMARKED

DATE: DATE

DOC. NO.	REV.	DATE
7415	1	

CAD/CAM DRAWING COPYRIGHT		WABCO	
DATE:	SIGNATURE:	SOLENOID VALVE	
DATE:	SIGNATURE:	MAGNETVENTIL (AA+LA)	
DRAWN: 94-01-20 GRESCHNER		ELECTROVANNE	
CHECKED: 94-01-20 GEIGER		ELECTROVALVOLA	
STANDARDIZATION: 94-01-20 PANTZER			

MASS	SCALE	PRODUCT IDENTIFICATION NO.		DOC. CODE	SHEET
4.65	1:1	472	905	111	0
KG					605
SIZE	I.R.I.				1/1

REPLACEMENT FOR

1 SUPPLY, ENERGIEZUFLOSS VOM VORRAT, ALIMENTATION, ALIMENTAZIONE
 21, 22, 23, 24, 25, 26 DELIVERY, ARBEITSLEITUNG, UTILISATION, MANDATA
 31, 32 EXHAUST, ANSCHLUSS ATMOSPHAEERE, ECHAPPEMENT, SCARICO
 61.1, 61.2, 61.3, 61.4 ELECTRICAL CONTROL, ELEKTRISCHER STEUERANSCHLUSS, COMMANDE ELETTRIQUE,
 62.1, 62.2, 62.3, 62.4 COMANDO ELETTRICO