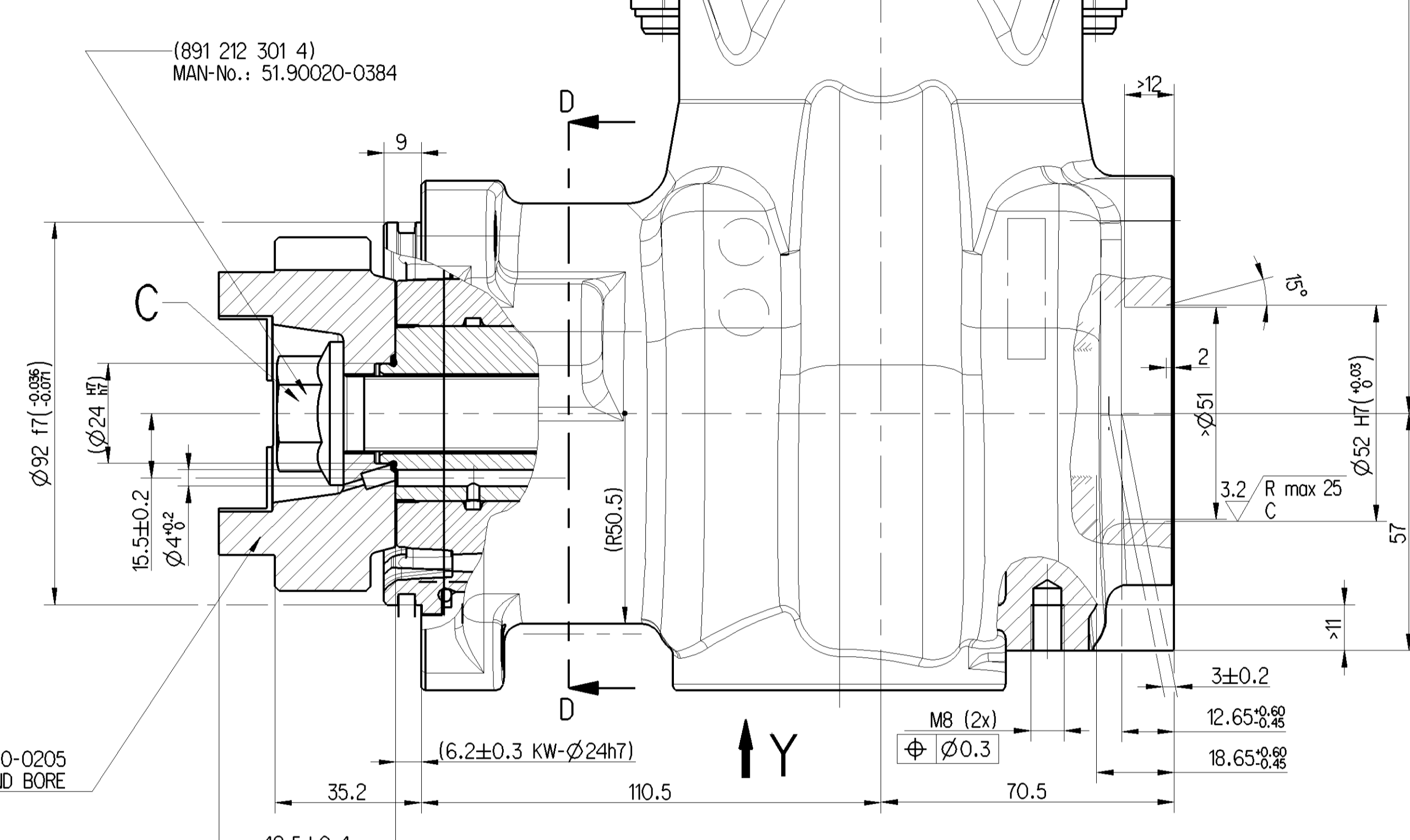
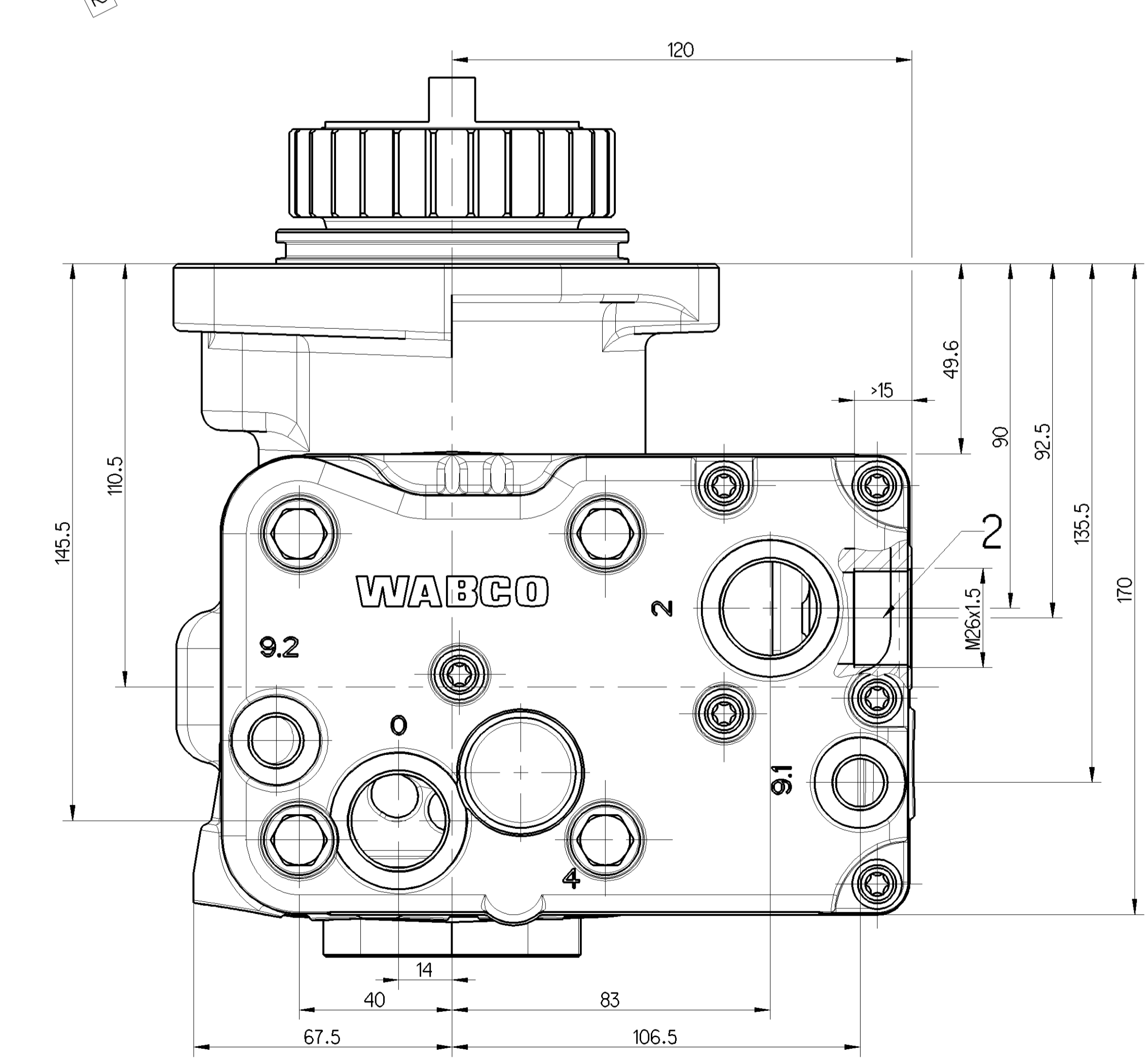
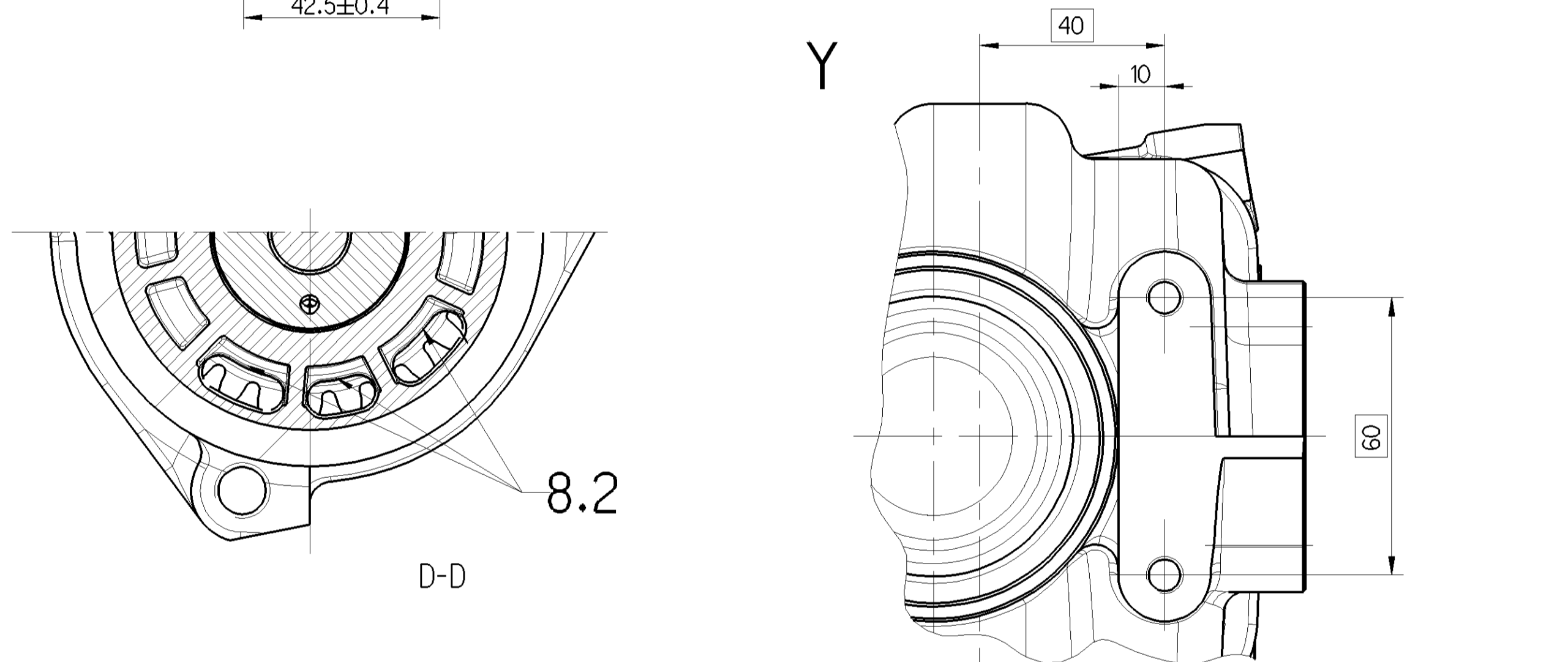
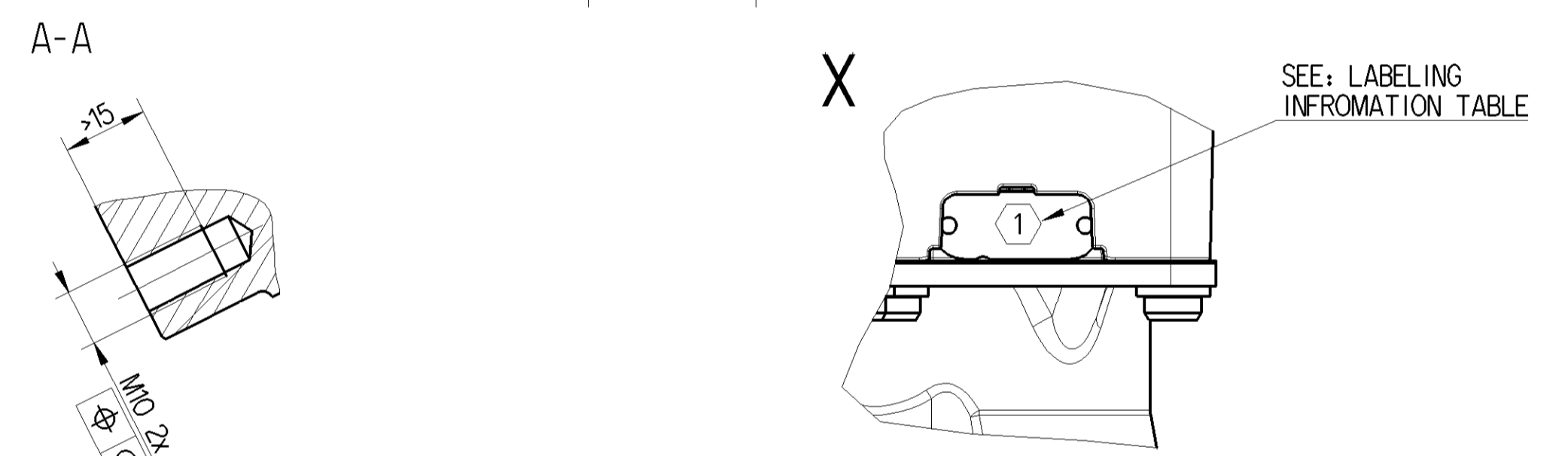


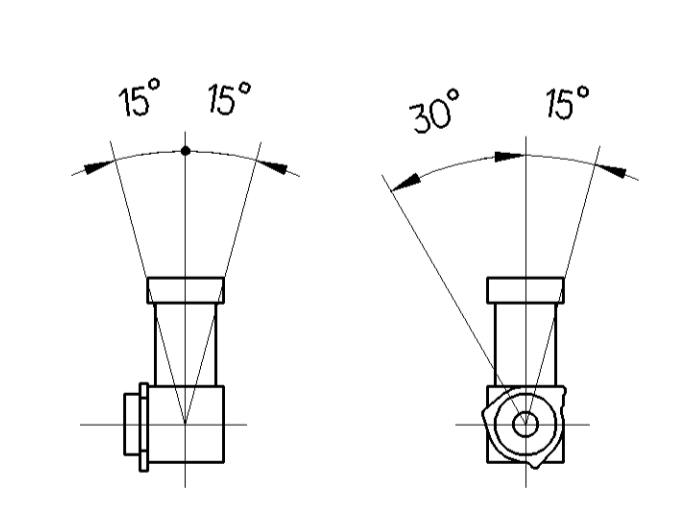
C TORQUE: 100 ± 10 Nm
 ROTATION ANGLE: 90° +10° -5°
 THE GEAR HAS TO BE LOCKED AGAINST ROTATION AT THE OUTER DIAMETER.
 THE CRANKSHAFT HAS TO BE LOCKED AGAINST ROTATION AT THE HUB FOR THE POWER-STEERING-PUMP (ca. 130 Nm).



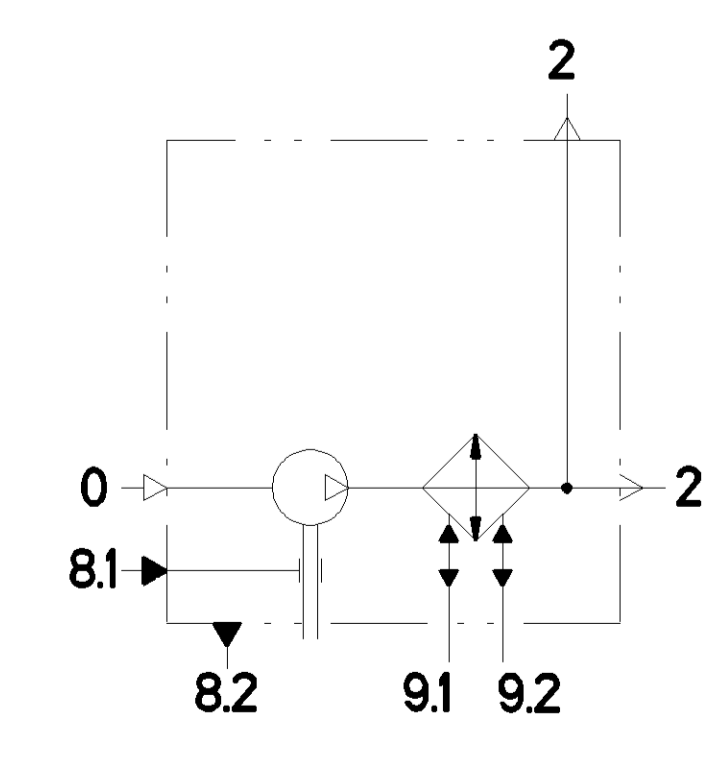
GEAR MAN-No.: 51.54210-0205
 STRAIGHT TOOTHED WITH TANG DRIVE AND BORE



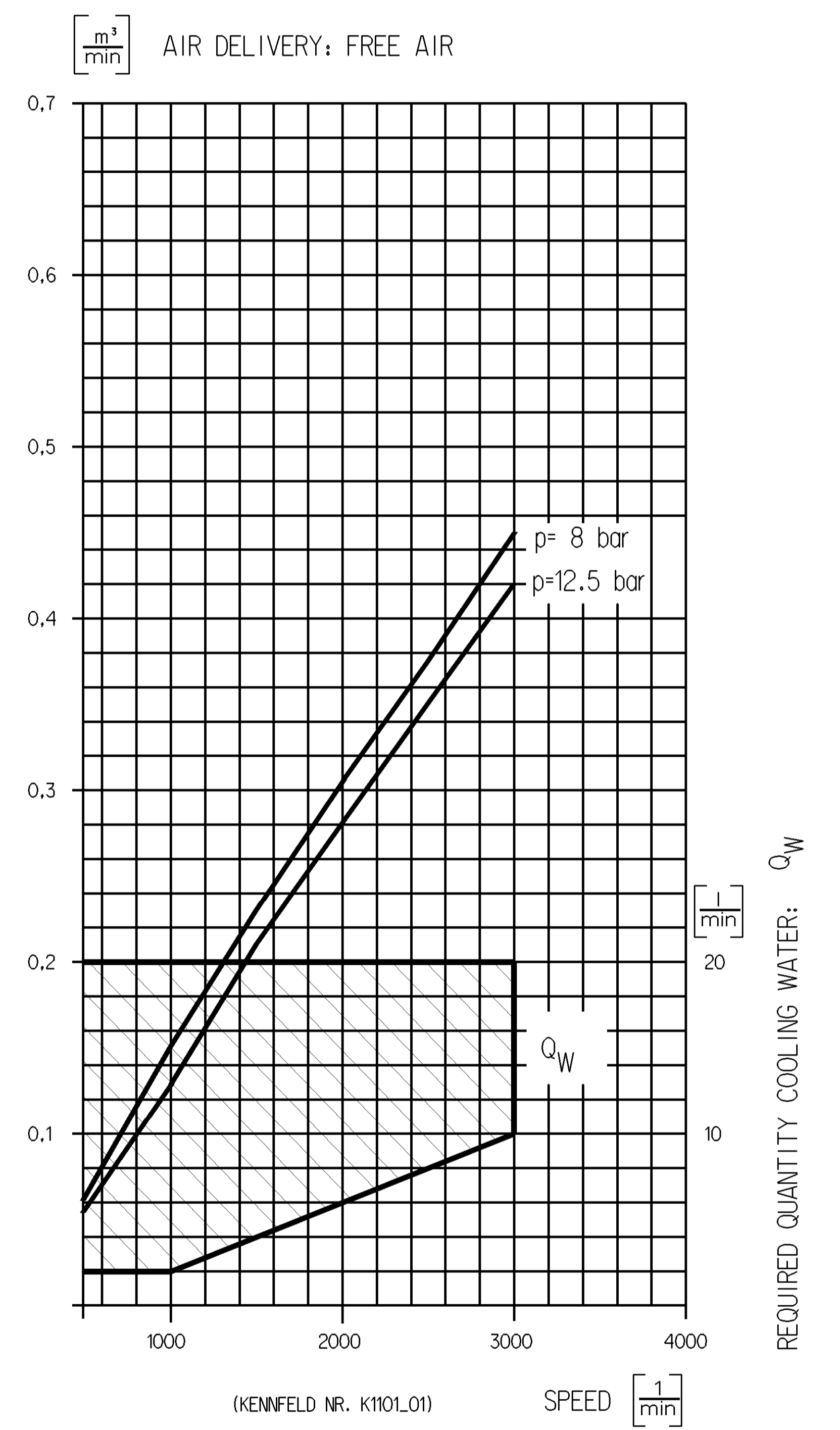
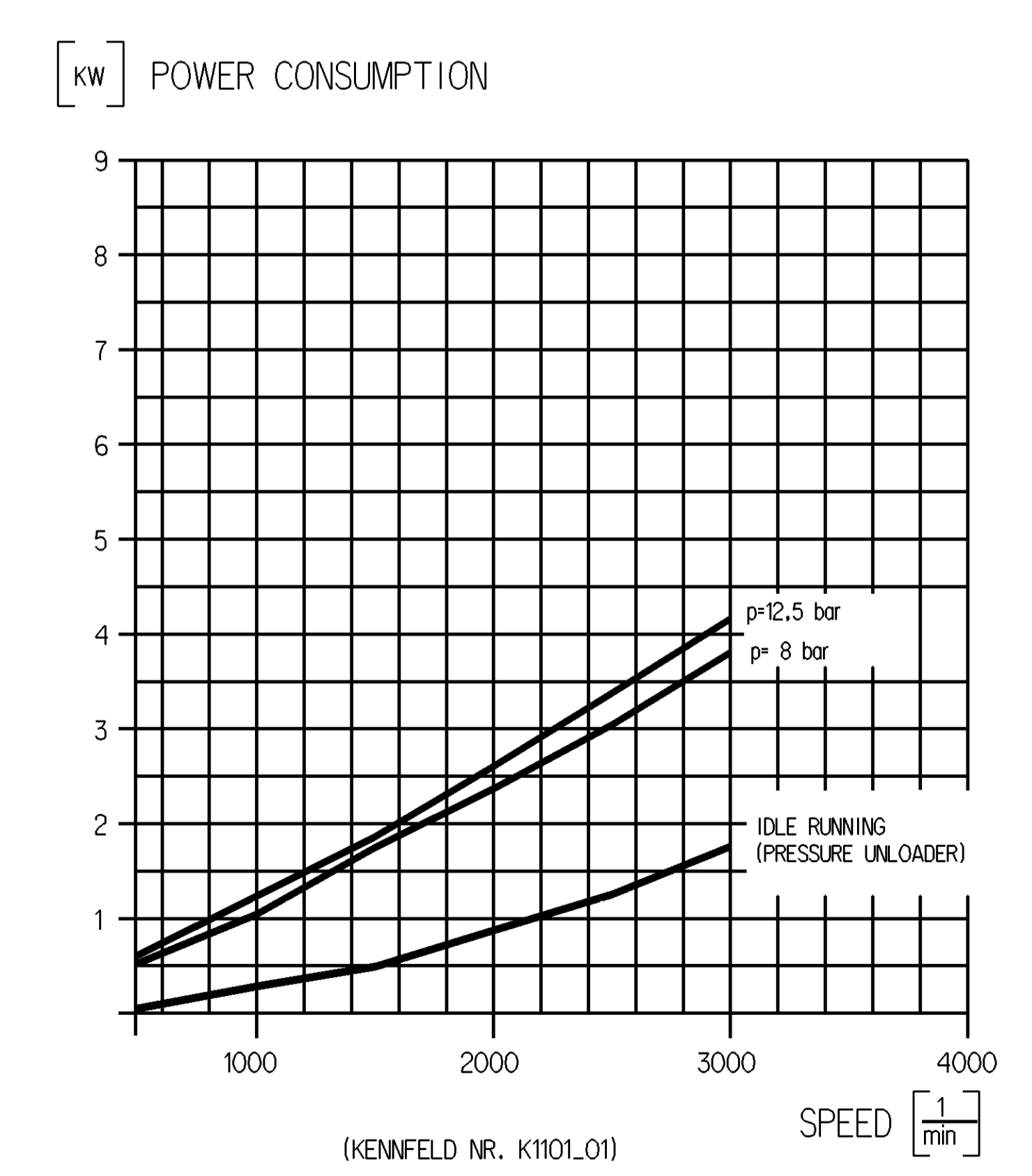
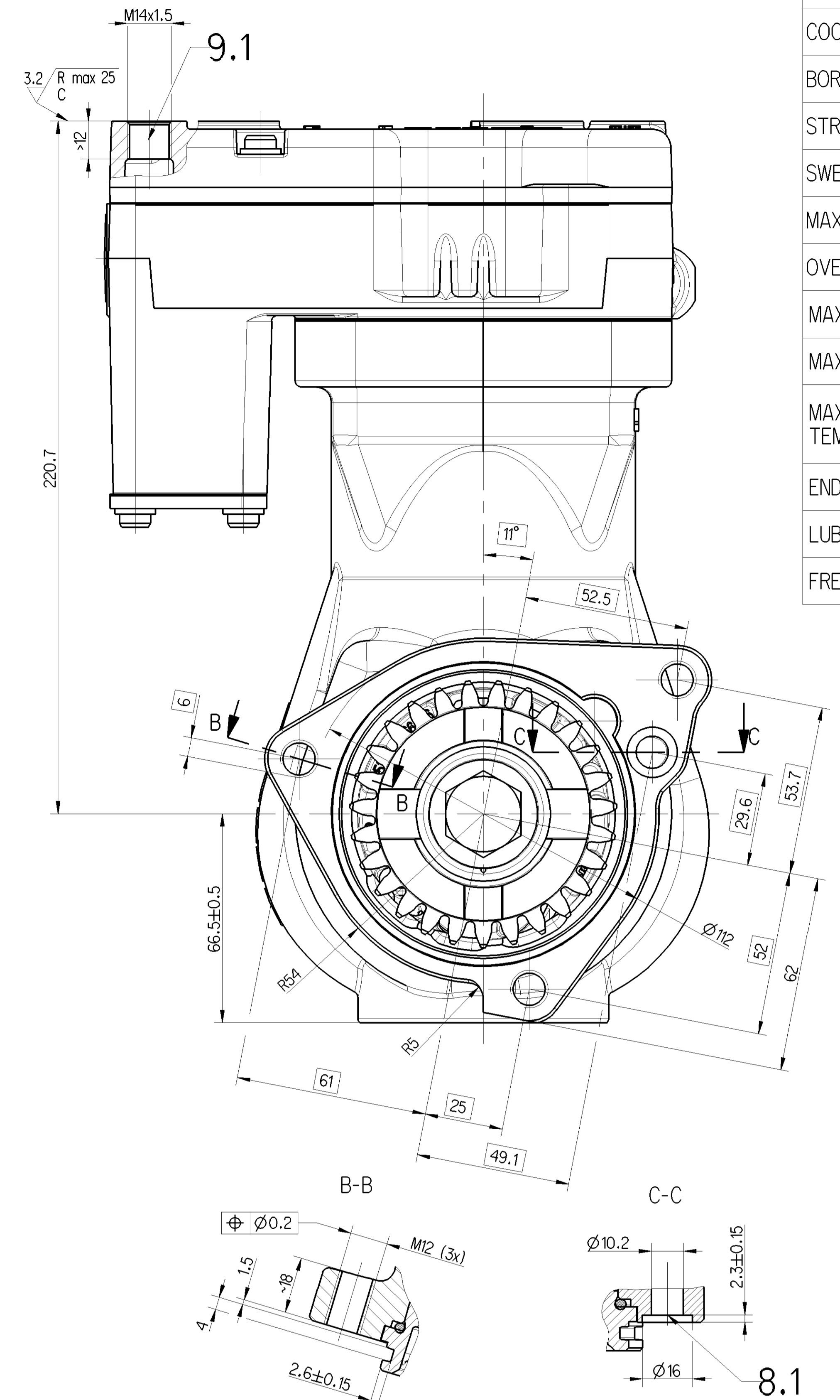
MAX. PERMISSIBLE TILT DURING CONTINUOUS WORKING



0	SUCTION PORT	M ≤ 100 Nm
2	DISCHARGE PORT	M ≤ 100 Nm
8.1	OIL SUPPLY	
8.2	OIL DRAIN	
9.1	COOLANT CONNECTION	M ≤ 35 Nm
9.2	COOLANT CONNECTION	M ≤ 35 Nm



9.1 ↔ 9.2 DIRECTIONS OF FLOW



WORKING MEDIUM	AIR
COOLANT	WATER WITH ANTIFREEZE
BORE	Ø 85 mm
STROKE	42 mm
SWEPT VOLUME	238 cm ³
MAX. WORKING SPEED	n _{max} = 3000 min ⁻¹
OVERSPEED (MAX. 4 SEC.)	n _{ue} = 1.3 x n _{max}
MAX. WORKING PRESSURE	p _e = 12.5 bar
MAX. PRESSURE AT PRESSURE PORT	p _e = 16 bar
MAX. PERMISSIBLE PRESSURE TEMPERATURE IN SERVICE	200 °C
END PLAY OF CRANKSHAFT	0.15 ... 0.38 mm
LUBRICATION SUPPLIED FROM ENGINE	
FREE FROM ASBESTOS	

** ALSO VALID FOR PRI: 037, 003, 105, 008.

LABELING INFORMATION TABLE (SEE ALSO DOC.922)			
PRODUCTION SITE	LABEL	LABEL ID NUMBER	LABEL LAYOUT
048 **	①	899 050 145 4	PRODUCTION DATE WABCO ID NUMBER

General Specifications: JED-354-0
 Further Technical Data: 912 116 000 0
 Doc. Code: 588
 Date: 2017-03-06
 Version: 1
 Drawn: Trokajo
 Checked: Skobonin
 Approved: O. Brant
 Scale: 14.2
 Unit: mm
 Material: Steel
 Part Name: SINGLE CYLINDER COMPRESSOR
 Part No.: 912 116 000 R
 Date of 1st Issue: 2017-03-06
 Revision: 005
 Language: EN
 Sheet: 1/1