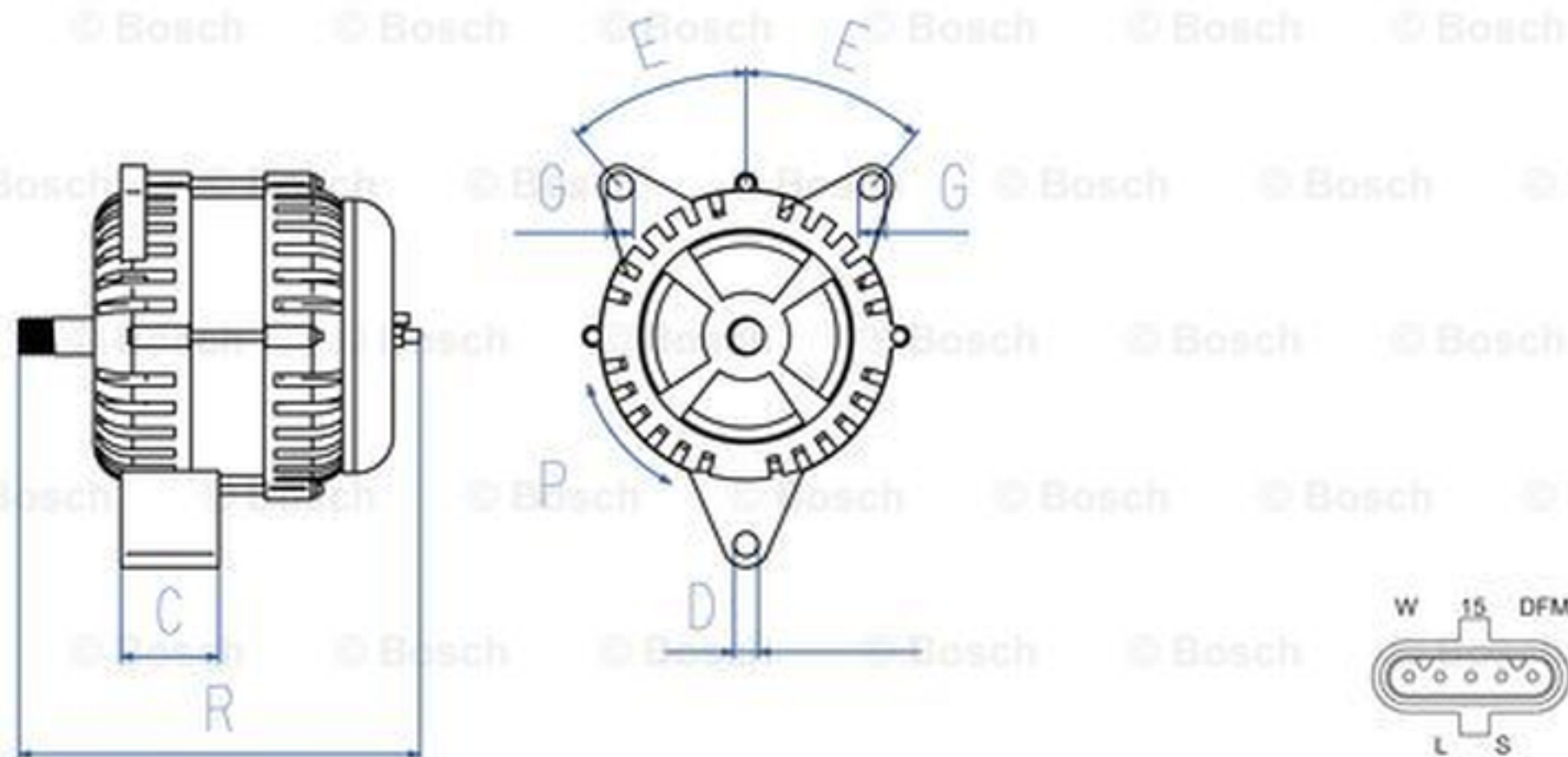



28 V, 120 A



Technical Data

A		E	60 °	R	max. 198 mm
C	80 mm	G	12,5 mm	P	
D	10,5 mm	H		T*	B+(M8), W, L, 5, BS, DFM

* Terminal