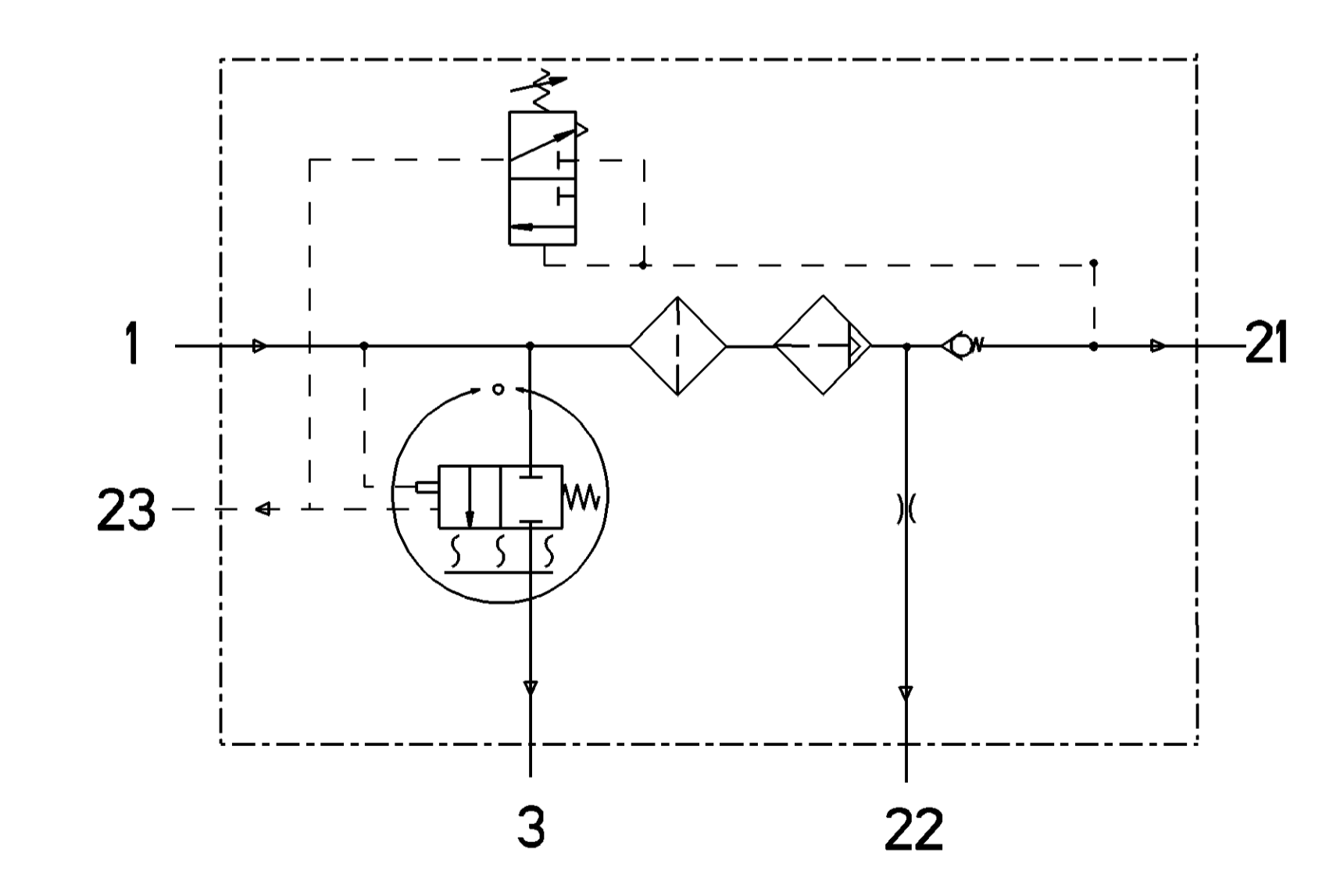
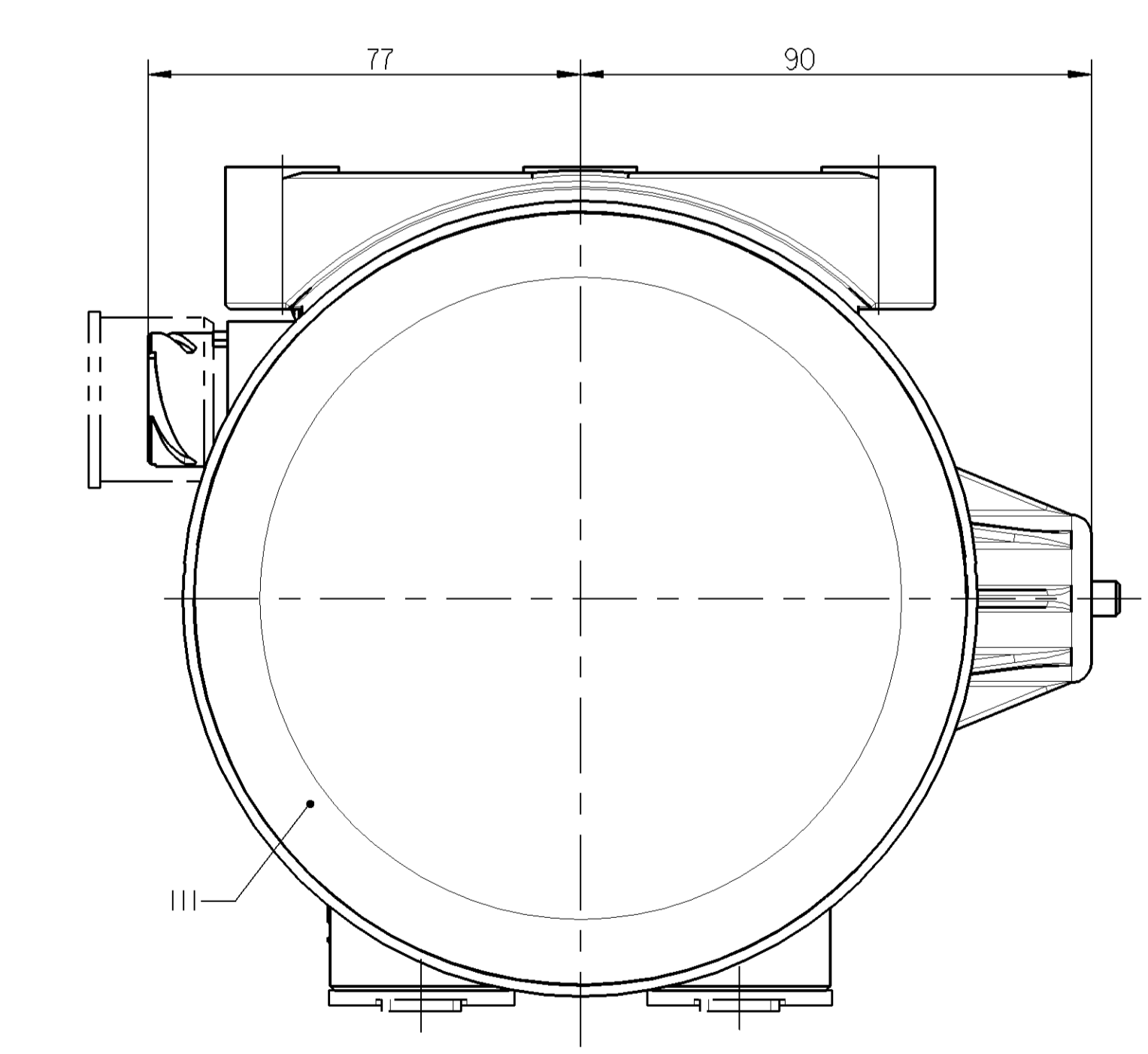
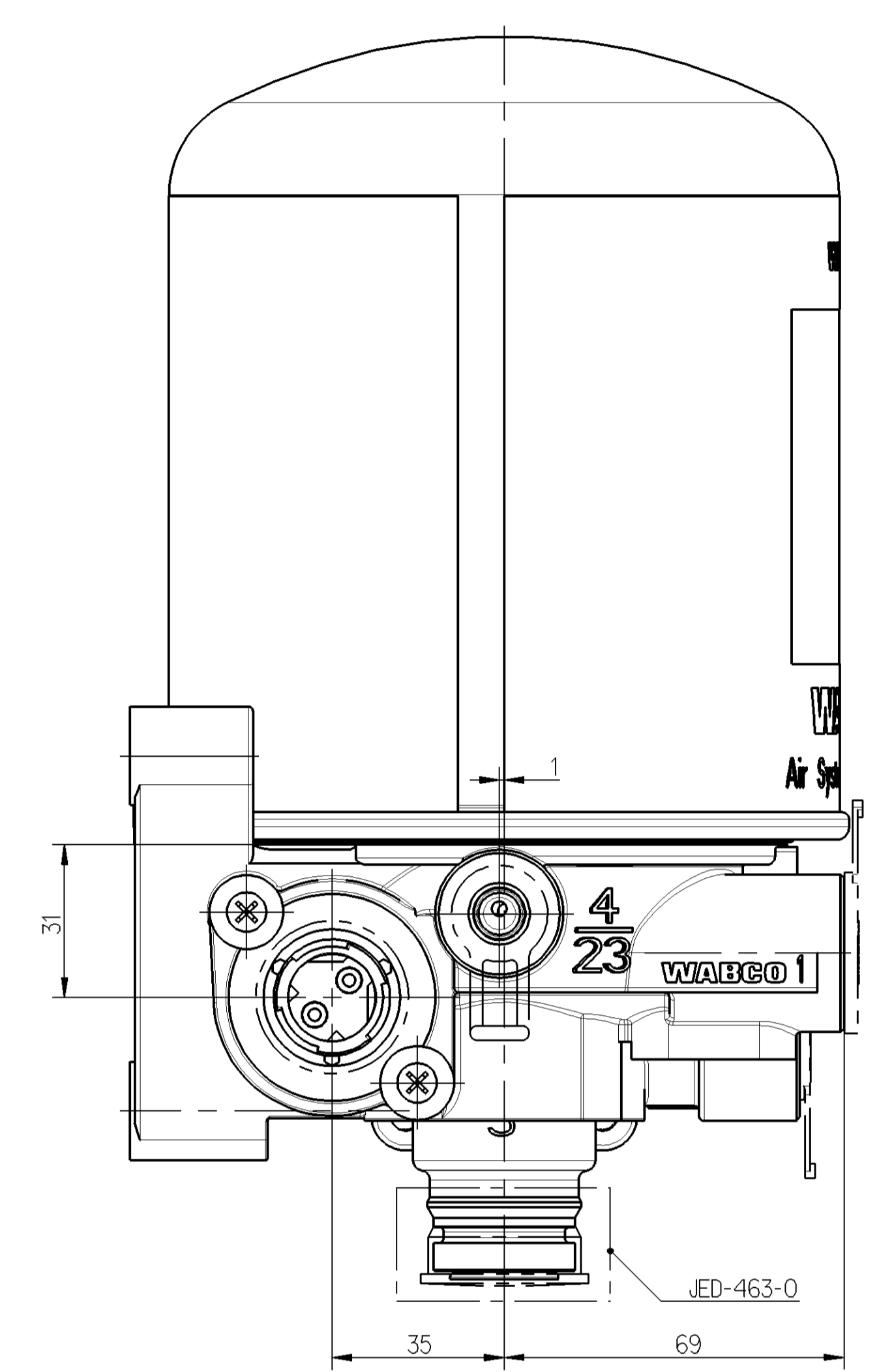
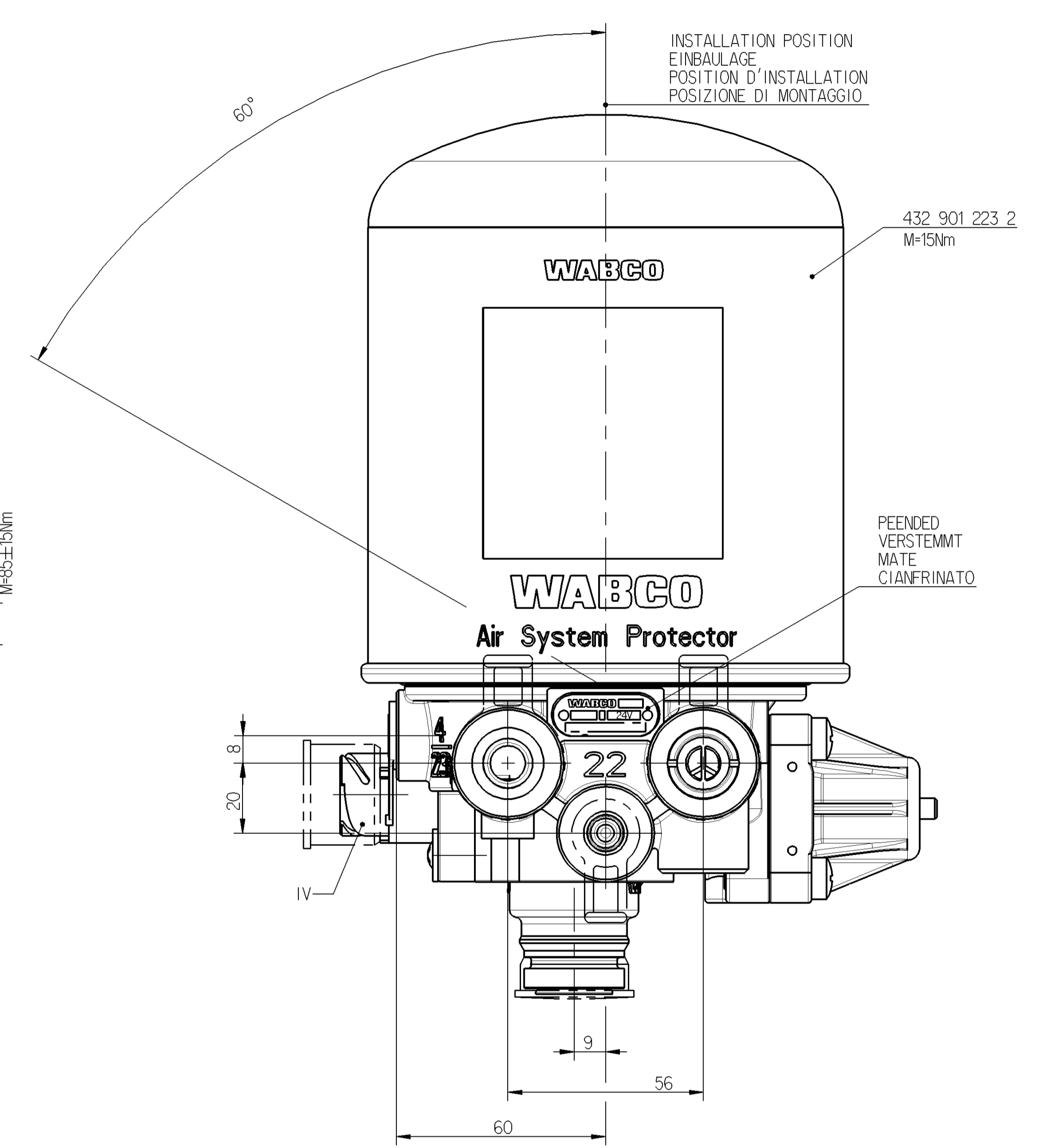
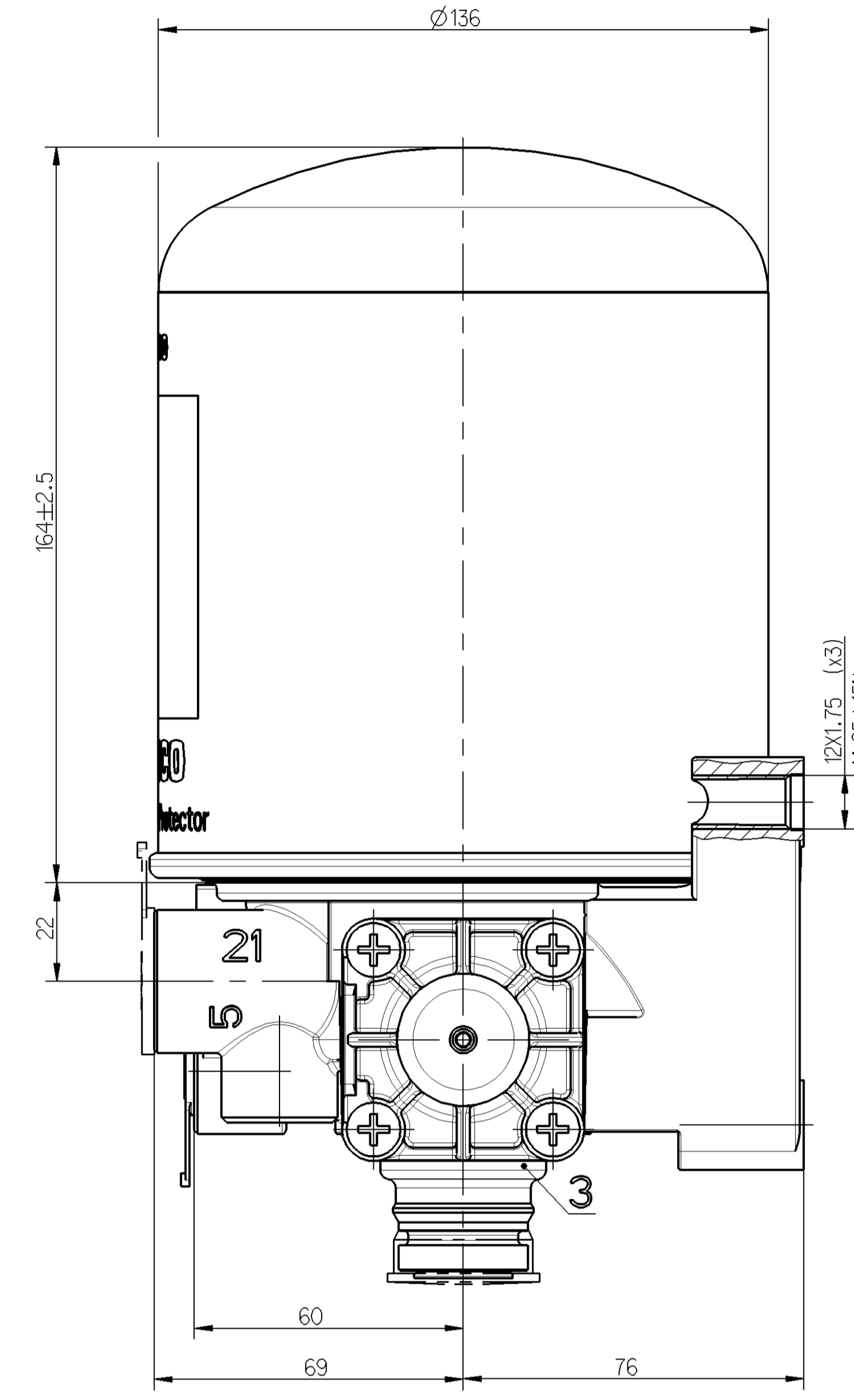
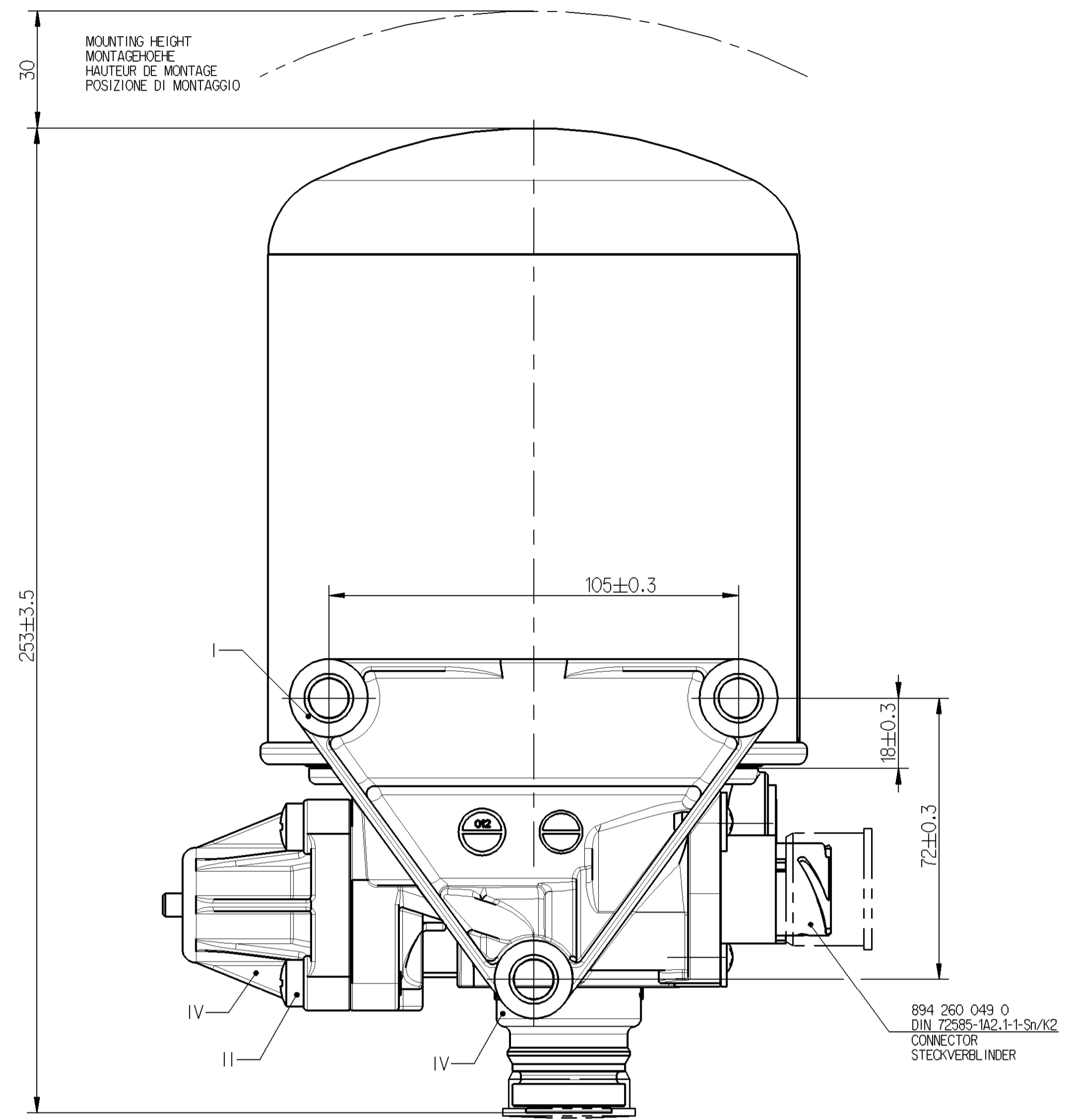


SURFACE PROTECTION OBERFLÄCHENSCHUTZ PROTECTION DE SURFACE PROTEZIONE SUPERFICIALE	
I	JED-259
II	JED-256
III	JED-471 WHITE/WEISS
IV	PLASTIC / KUNSTSTOFF
V	JED-570-656

WABCO AIR DRYER	COMBINED UNLOADER		SAFETY PRESSURE OF THE PURGE VALVE AT V=100dm ³ /min	(Kg) MASS
	CUT OUT PRESSURE Pe = (bar)	OPERATING RANGE dP = (bar)		
432 410 191 0	12.0±0.2	0.5 ^{+0.7} ₀	< 19.0	4.23
432 410 192 0	8.5±0.2	0.7 ^{+0.5} ₀	< 14.5	4.23



PORT ANSCHLUSS ORIFICE ORIFIZIO	FUNCTION FUNCTION FONCTION FUNZIONE	THREAD GEWINDE FILETTAGE FILETTATURA
1	FROM THE COMPRESSOR VOM KOMPRESSOR PROVENANT DU COMPRESSEUR PROVENIENTE DEL COMPRESSORE	M22x1,5 JED-152
21	TO THE RESERVOIRS WITHOUT DYNAMIC PRESSURE (FROM CONSUMER) RECOMMENDED INSIDE DIAMETER Ø12mm ZU DEN LUFTBEHALTERN OHNE DYNAMISCHEN DRUCK (VOM VERBRAUCHER) EMPFOHLENER INNENDURCHMESSER Ø12mm AUX RESERVOIR SANS PRESSION DYNAMIQUE (DU CONSOMMATEUR) DIAMETRE INTERIEUR RECOMMANDE Ø12mm AL SERBATOIUPER SENZA PRESSIONE DINAMICA (DAL CONSUMATORE) DIAMETRO INTERNO SUGGERITO Ø12mm	M22x1,5 JED-152
22	TO THE RESERVOIRS FOR REGENERATED AIR ZUM REGENERATIONS-LUFTBEHALTER AUX RESERVOIRS D'AIR REGENERE AL SERBATOI PER L'ARIA RIGENERATA	M12x1,5 JED-152
23	TO THE COMPRESSOR / PIPE VOLUME <50cm ³ ZUM KOMPRESSOR / SCHLAUCHVOLUMEN <50cm ³ AU COMPRESSEUR / VOLUME DE PIPE <50cm ³ AL COMPRESORE / VOLUME DEL TUBO <50cm ³	M12x1,5 JED-152
3	EXHAUST FOR COMPRESSED AIR ENTLUFTUNG FUER DRUCKLUFT ECHAPPEMENT POUR AIR COMPRIME SCARICO PER ARIA COMPRESSA	

THERMAL RANGE OF CONTINUOUS APPLICATION:
 THERMISCHER DAUERANWENDUNGSBEREICH:
 RESISTANCE A LA CHALEUR CONTINUE:
 COMPO DI APPLICAZIONE CONTINUA: -40°C... +65°C

RESISTANCE TO HEAT:
 WÄRMESTÄNDIGKEIT:
 FLAISE DE TEMPERATURE EN UTILISATION CONTINUE:
 COMPO DI APPLICAZIONE CONTINUA: +80°C MAX.

MEDIUM: COMPRESSED AIR
 MEDIUM: DRUCKLUFT
 FLUIDE: AIR COMPRIME
 FLUIDO: ARIA COMPRESSA

WORKING PRESSURE:
 BETRIEBSDRUCK:
 PRESSION DE SERVICE:
 PRESSIONE D'ESERCIZIO: Pe MAX. = 13 bar

INSTALLATION POSITION AS DRAWN
 EINBALLAGE WIE GEZEICHNET
 POSITION D'INSTALLATION SUIVANT DESSIN
 POSIZIONE DI MONTAGGIO COME DISEGNATO

TORQUES FOR CONNECTIONS:
 ANZUGSMOMENT FUER EINSCHRAUBSTUTZEN:
 COUPLE DE SARRAGE DES RACCORDS
 COPPIA DI SERRAGGIO DEI RACCORDI: M12x1.5: Mmax = 21 Nm
 M22x1.5: Mmax = 53 Nm

HEATING
 HEIZUNG
 CHAUFFAGE
 RISCALDAMENTO

HEATING CUT-IN TEMPERATURE:
 HEIZUNG EINSCHALT-TEMPERATUR:
 CHAUFFAGE TEMPERATURE DE FERMETURE:
 RISCALDAMENTO TEMPERATURA DI CHIUSURA: 7 ±6°C

HEATING CUT-OFF TEMPERATURE:
 HEIZUNG AUSSCHALT-TEMPERATUR:
 CHAUFFAGE TEMPERATURE DE MISE:
 RISCALDAMENTO TEMPERATURA DI APERTURA: 29.5 ±3°C

BATTERY VOLTAGE:
 BATTERIESPANNUNG:
 TENSION DE BATTERIE:
 TENSIONE DI BATTERIA: 24 +4.8/-2.4 V DC

POWER WITHOUT CURRENT:
 LEISTUNG STROMLOS:
 PUISSANCE SANS COURANT:
 POTENZA SENZA CORRENTE: 100 W

POWER WITH 24V DC:
 LEISTUNG BEI 24V DC:
 PUISSANCE AVEC 24V DC:
 POTENZA CON 24V DC: 95 +0/-5W

APPLIED ACROSS THE HEATER CONTACTS
 DIREKT AN DEN HEIZUNGSKONTAKTEN
 APPLICATA SUILE CONTATTI DI CHAUFFAGE
 APPLICATA SULLE CONTATTI DI RISCALDAMENTO

General Specifications JED-534-0		Copyright WABCO		WABCO	
Further Technical Data		Date		Signature	
Doc. Code	Sheet	To	Order	2006-01-18 K. OSTROWICZ	
General Tolerances JED-201		Scale		2006-02-23 Grzybowska	
Class II	± 0.5	± 0.1	± 0.05	A. REMSKI	
Class III	± 0.5	± 0.1	± 0.05	A. REMSKI	
Class IV	± 0.5	± 0.1	± 0.05	A. REMSKI	
Class V	± 0.5	± 0.1	± 0.05	A. REMSKI	
Class VI	± 0.5	± 0.1	± 0.05	A. REMSKI	
Class VII	± 0.5	± 0.1	± 0.05	A. REMSKI	
Class VIII	± 0.5	± 0.1	± 0.05	A. REMSKI	
Class IX	± 0.5	± 0.1	± 0.05	A. REMSKI	
Class X	± 0.5	± 0.1	± 0.05	A. REMSKI	
Class XI	± 0.5	± 0.1	± 0.05	A. REMSKI	
Class XII	± 0.5	± 0.1	± 0.05	A. REMSKI	
Class XIII	± 0.5	± 0.1	± 0.05	A. REMSKI	
Class XIV	± 0.5	± 0.1	± 0.05	A. REMSKI	
Class XV	± 0.5	± 0.1	± 0.05	A. REMSKI	
Class XVI	± 0.5	± 0.1	± 0.05	A. REMSKI	
Class XVII	± 0.5	± 0.1	± 0.05	A. REMSKI	
Class XVIII	± 0.5	± 0.1	± 0.05	A. REMSKI	
Class XIX	± 0.5	± 0.1	± 0.05	A. REMSKI	
Class XX	± 0.5	± 0.1	± 0.05	A. REMSKI	
Class XXI	± 0.5	± 0.1	± 0.05	A. REMSKI	
Class XXII	± 0.5	± 0.1	± 0.05	A. REMSKI	
Class XXIII	± 0.5	± 0.1	± 0.05	A. REMSKI	
Class XXIV	± 0.5	± 0.1	± 0.05	A. REMSKI	
Class XXV	± 0.5	± 0.1	± 0.05	A. REMSKI	
Class XXVI	± 0.5	± 0.1	± 0.05	A. REMSKI	
Class XXVII	± 0.5	± 0.1	± 0.05	A. REMSKI	
Class XXVIII	± 0.5	± 0.1	± 0.05	A. REMSKI	
Class XXIX	± 0.5	± 0.1	± 0.05	A. REMSKI	
Class XXX	± 0.5	± 0.1	± 0.05	A. REMSKI	
Class XXXI	± 0.5	± 0.1	± 0.05	A. REMSKI	
Class XXXII	± 0.5	± 0.1	± 0.05	A. REMSKI	
Class XXXIII	± 0.5	± 0.1	± 0.05	A. REMSKI	
Class XXXIV	± 0.5	± 0.1	± 0.05	A. REMSKI	
Class XXXV	± 0.5	± 0.1	± 0.05	A. REMSKI	
Class XXXVI	± 0.5	± 0.1	± 0.05	A. REMSKI	
Class XXXVII	± 0.5	± 0.1	± 0.05	A. REMSKI	
Class XXXVIII	± 0.5	± 0.1	± 0.05	A. REMSKI	
Class XXXIX	± 0.5	± 0.1	± 0.05	A. REMSKI	
Class XL	± 0.5	± 0.1	± 0.05	A. REMSKI	
Class XLI	± 0.5	± 0.1	± 0.05	A. REMSKI	
Class XLII	± 0.5	± 0.1	± 0.05	A. REMSKI	
Class XLIII	± 0.5	± 0.1	± 0.05	A. REMSKI	
Class XLIV	± 0.5	± 0.1	± 0.05	A. REMSKI	
Class XLV	± 0.5	± 0.1	± 0.05	A. REMSKI	
Class XLVI	± 0.5	± 0.1	± 0.05	A. REMSKI	
Class XLVII	± 0.5	± 0.1	± 0.05	A. REMSKI	
Class XLVIII	± 0.5	± 0.1	± 0.05	A. REMSKI	
Class XLIX	± 0.5	± 0.1	± 0.05	A. REMSKI	
Class L	± 0.5	± 0.1	± 0.05	A. REMSKI	